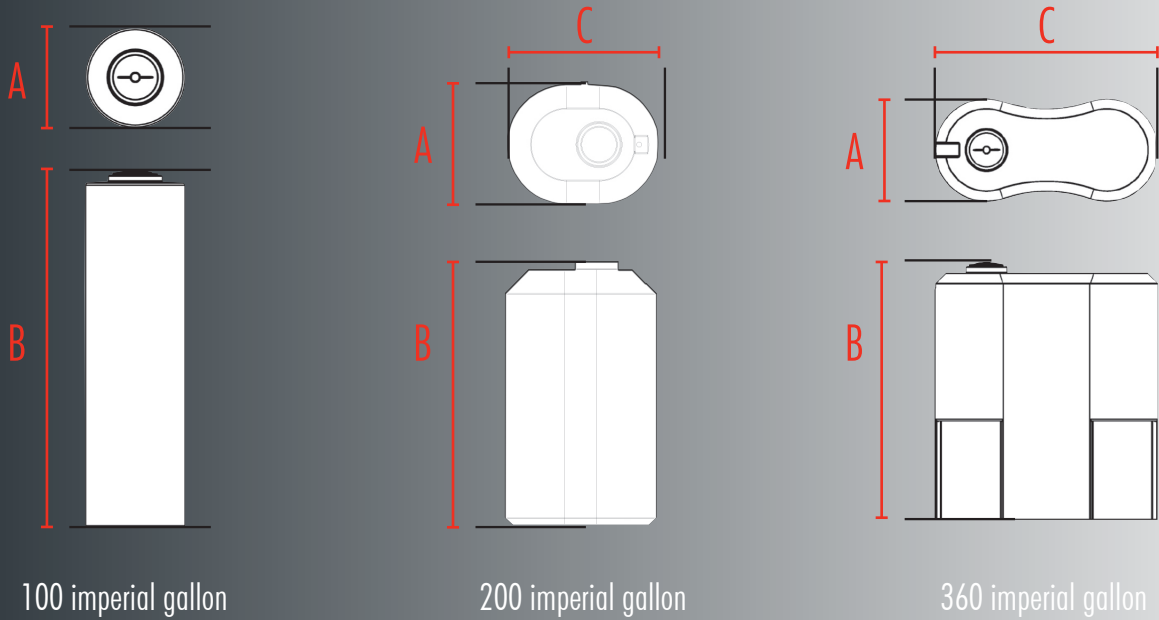




- ▶ Rural water tanks are available in translucent white, or black. (*Black eliminates algae formation.*)
- ▶ All translucent and black tanks are manufactured from materials that meet FDA Regulations 21 CFR 177.1520, and may be used to contain materials for human consumption.
- ▶ Rural water tanks have > UV20 protection to prevent deterioration from sunlight.
- ▶ Rural water tanks come standard with a vented lid and a Banjo[®] heavy-duty bulkhead fitting.
- ▶ Optional float valve available.
- ▶ Sight gauges available to allow product visibility in black tanks.
- ▶ These are standard duty tanks which are typically used to contain liquids with densities up to 14 lb per gallon.
- ▶ Standard duty tanks carry a three (3) year warranty against defects in workmanship.



100 imperial gallon

200 imperial gallon

360 imperial gallon

RURAL WATER TANKS

CAPACITY		SPECIFICATIONS					PART NUMBERS	
IMP. GAL.	U.S. GAL.	DIM. A	DIM. B	DIM. C	LID SIZE	STANDARD FITTING	WHITE PART No	BLACK PART No
360	432	30"	74"	65"	6"	1-1/4"	2168	26001-41
200 S	240	30"	66"	38"	18"	1-1/4"	1070	5256
200 T	240	28"	74"	34"	15"	1-1/4"	2950	26002-75
165	198	28"	60"	34"	15"	1-1/4"	2727	26000-95
100	120	22"	78"	N/A	8"	1-1/4"	1069	26001-39
14	16.8	N/A	21"	20 3/4"	6"	1-1/4"	CALL	1118