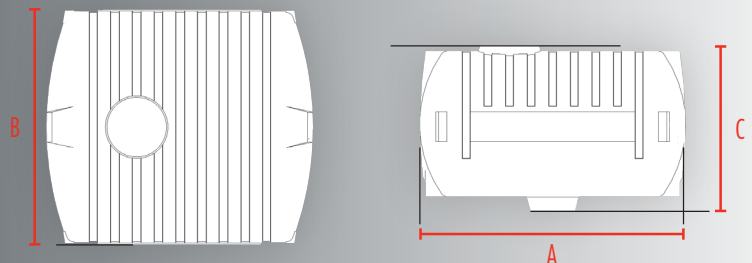


- ▶ Elliptical sprayer tanks are available in translucent white or black. (*Black eliminates algae formation.*)
- ▶ All translucent and black tanks are potable and manufactured from materials that meet FDA Regulations 21 CFR 177.1520 and may be used to contain materials for human consumption.
- ▶ All tanks have UV8 protection to prevent deterioration from sunlight.
- ▶ All tanks come standard with 16" vented lid and a gallonage indicator.
- ▶ 540 and 833 imp. gal. tanks are typically used to contain liquids with densities up to 14 lb per gallon.
- ▶ 1600 imp. gal. tank is heavy duty rated for liquids up to 20 lb per gallon
- ▶ Elliptical sprayer tanks carry a one (1) year warranty against defects in workmanship.



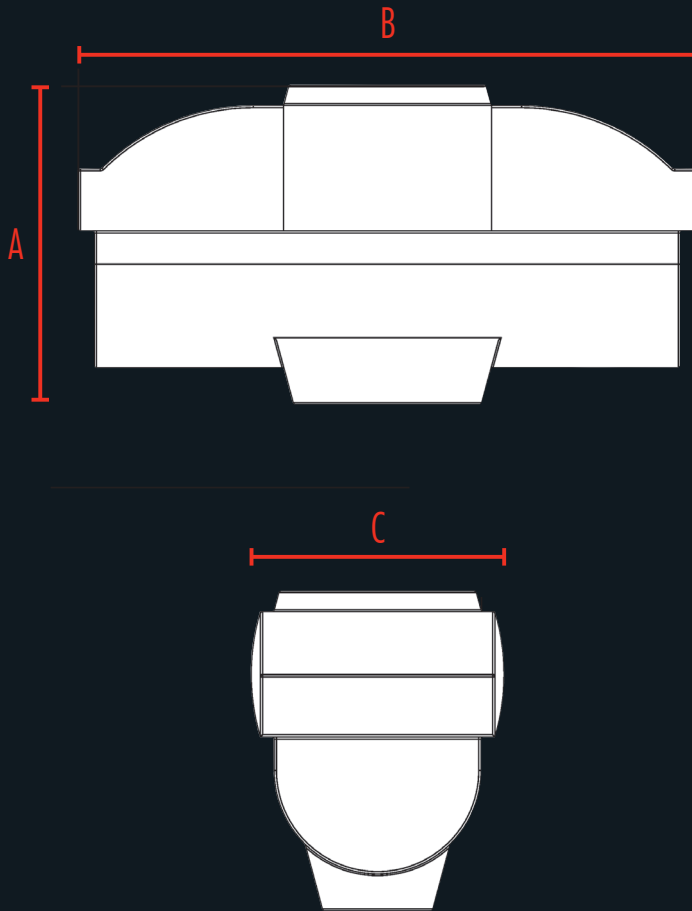
CAPACITY		SPECIFICATIONS					
IMP. GAL.	U.S. GAL.	DIM. A	DIM. B	DIM. C*	LID SIZE	STANDARD FITTING	PART NUMBERS
1600	1920	89"	91"	87"	16"	N/A	1089
833	1000	90"	79"	52"	16"	N/A	1039
540	648	90"	60"	46"	16"	N/A	1154

\*Dimension C does not include the sump.



Bourgault models that elliptical tanks will fit. (*Supplied without decals.*)

Convertabar SI	833	Centurion I	833	Exterminator	833	Eliminator 1450	1250
Convertabar SII	833	Centurion II	833	Eliminator 540	540	Eliminator 1460	1250
540 Versabar	833 or 540	Centurion III	833	Eliminator 950	833	Eliminator 1850	1600
						LFC2000 Liquid Cart	1600



- ▶ Auxiliary sprayer tanks are available in translucent white and black.
- ▶ All translucent and black tanks are potable and manufactured from materials that meet FDA Regulations 21 CFR 177.1520 and may be used to contain materials for human consumption.
- ▶ All tanks have UV8 protection to prevent deterioration from sunlight.
- ▶ Tanks come standard with 16" vented lid, bulkhead fitting and built-in sump for more complete drainage.
- ▶ Auxiliary Sprayer Tanks are typically used to contain liquids with densities up to 14 lb per gallon.
- ▶ Auxiliary Sprayer tanks carry a one (1) year warranty against defects in workmanship.

## AUXILIARY SPRAYER TANKS

CAPACITY		SPECIFICATIONS					
IMP. GAL.	U.S. GAL.	HEIGHT A	LENGTH B	WIDTH C	LID SIZE	STANDARD FITTING	PART NUMBERS
200	240	45- <sup>3</sup> / <sub>4</sub> "	77- <sup>11</sup> / <sub>16</sub> "	27- <sup>3</sup> / <sub>8</sub> "	16"	2" HD	1179
175	210	43"	63- <sup>1</sup> / <sub>2</sub> "	27- <sup>3</sup> / <sub>8</sub> "	16"	2" HD	1611
125	150	30- <sup>9</sup> / <sub>16</sub> "	63- <sup>1</sup> / <sub>2</sub> "	27- <sup>3</sup> / <sub>8</sub> "	16"	2" HD	1135