

Freeform PLASTICS

A Division of Bourgault Industries Ltd.

MT2000 HYDRAULIC SWATH ROLLER MODEL - CASE IH WD 3 SERIES Kit Part No. 2678-01

ASSEMBLY INSTRUCTIONS & OPERATION EFFECTIVE S/N: FF001SR-01 - DATE

It is recommended to carefully follow the detailed steps of the assembly manual for the simplest and quickest assembly of the kit. Please check crate packing list against contents to be sure all parts have been received.

On all Free Form equipment, left and right are determined by standing behind the machine and looking forward.

All information, illustrations and specifications in this manual are based on the latest product information. Free Form updates products continually to improve quality. We reserve the right to make changes at any time.

FREE FORM WARRANTY POL-

Effective April 16, 2001

Free Form Plastic Products (referred to as Free Form), a Division of Bourgault Industries Ltd., warrants its **new**, unused, Agricultural Equipment to be free of defects in material and workmanship at time of the delivery to the first retail purchaser according to the Free Form Warranty Policy.

1) BASIC WARRANTY REPAIR PERIOD AND REMEDIES

- a) Free Form will repair or replace, at its option, without charge for parts or labour, **any defective part** of the equipment for a period of twelve (12) months from delivery to the first retail purchaser.
- b) Free Form will repair or replace, at its option, without charge for parts, **any Free Form manufactured part** that is found to be defective for the period of thirteen (13) months to twenty-four (24) months from delivery to the first retail purchaser.
- c) Free Form will repair or replace, at its option, for a charge of 50% of the parts, **any Free Form manufactured part** that is found to be defective for the period of twenty-five (25) months to thirty-six (36) months from delivery to the first retail purchaser.

Note: A Free Form Manufactured Part is any part which has been manufactured by Free Form. Parts purchased from an outside supplier are not considered to be manufactured by Free Form. Purchased parts would include bearings, bolts, etc...

- d) Any parts that are covered by an Extended Warranty published by Free Form, are an exception to the Basic Policy, and are to be warranted as per the details of the Extended Warranty document. The extended warranty policy may change from time to time without warning from Free Form.

2) EXTENDED WARRANTY

- a) CULTIVATOR SHANKS are warranted 100% for five years from date of manufacture against breakage. Breakage after the fifth year will

be covered at 50% warranty. Shanks are not warranted against bending, however, a bent shank policy is in place to provide Free Form customers with replacement shanks for 50% of list price.

3) EXCEPTIONS TO THIS WARRANTY

- a) In no event shall the owner be entitled to recover for incidental, special or consequential damages such as, but not limited to; loss of crop, loss of profit or revenue, other commercial losses, inconvenience or cost of rental of replacement equipment.
- b) **Repair, Maintenance, and Service items not related to defects:**
 1. Loss or damage during shipment (see: Free Form Wholegoods Shipping Policy)
 2. Failure resulting from lack of or improper maintenance.
 3. Damage caused by operator abuse, negligence, or improper operation.
 4. Non-defective items replaced due to customer demand unless authorized by Free Form.
 5. Nonreimbursable maintenance items including but not limited to oil, etc.
 6. Any and all costs for repairs or replacement of parts not shown to be defective.
 7. Damage due to accidents.
- c) **Cultivator Sweeps, Reversible Chisels, and Ground Engaging Tools** are **not** covered under this warranty policy, but by the warranty policy of their manufacturer.
- d) **Rubber Tires** are warranted directly by the tire manufacturer's agents only, and **not** by Free Form.
- e) **Replacement Parts** will be warranted for twelve months from the repair date, providing the bill of sale is attached to the warranty claim.
- f) The terms of this warranty are subject to Provincial and State Legislation. Free Form reserves the right to make changes in accordance with these Acts at any time without notification

FREE FORM WARRANTY POLICY

or obligation. The stated warranty contained in the Free Form Warranty Policy applies in all situations, unless the law provides a greater warranty in the jurisdiction of the retail customer.

- g) Free Form reserves the right to continually improve its equipment, and reserves the right to change products or specifications at any time without notice or obligation.

4) OWNER'S OBLIGATION

It is the **responsibility of the owner, at the owner's expense, to transport the equipment to the service shop of an authorized Free Form Dealer (place of purchase) or alternately to reimburse the dealer for any travel or transportation expense** involved in fulfilling this warranty.

It is the **responsibility of the owner to read, understand and practice the maintenance, safety, and operational guidelines set out in the operator's manual** furnished with the equipment.

It is the owner's responsibility to ensure that the Warranty Registration, which must be signed by the owner, is completed and returned to Free Form by the dealer. The completed and signed Warranty Registration is required to register a new unit for warranty.

TABLE OF CONTENTS

FREE FORM WARRANTY POLICY 2

1 SAFETY..... 5

- 1.1 GENERAL SAFETY6
- 1.2 OPERATING SAFETY6
- 1.3 MAINTENANCE SAFETY6
- 1.4 TRANSPORT SAFETY.....6

2 HYDRAULIC COMPONENTS INSTALL..... 7

- 2.1 HYDRAULIC FITTINGS ASSEMBLY.....7
- 2.2 VALVE BLOCK “AUX LIFT” INSTALL8
- 2.3 RETURN LINE HOOK UP.....9
- 2.4 SUPPLY LINE HOOK UP.....9
- 2.5 ELECTRICAL HARNESS9
- 2.6 SOLENOID ELECTRICAL10
- 2.7 SWITCH INSTALL.....10
- 2.8 FINAL ASSEMBLY10
- 2.9 ELECTRICAL DIAGRAM.....11
- 2.10 HYDRAULIC DIAGRAM.....12

3 HYDRAULIC SWATH ROLLER USE AND OPERATION 13

- 3.1 ADJUSTING THE SWATH ROLLER13
- 3.2 SETTING THE HYDRAULICS13
- 3.3 SETTING THE DEPTH13
- 3.4 TRANSPORT LOCKS14

4 PARTS..... 15

- 4.1 SWATHROLLER COMMON ASSEMBLY.....15
- 4.2 SWATHROLLER DRUM ASSEMBLY.....16
- 4.3 SWATHROLLER HYDRAULIC ASSEMBLY17
- 4.4 SWATHROLLER HYDRAULIC FITTINGS18

1 SAFETY

SAFETY ALERT SYMBOL

This Safety Alert symbol means

ATTENTION!

BECOME ALERT!

YOUR SAFETY IS

INVOLVED!



The Safety Alert symbol identifies important safety messages. When you see this symbol, be alert to the possibility of personal injury or death. Follow the instructions in the safety message.

Why is SAFETY important to you?

Accidents Disable and Kill

3 Big Reasons

Accidents Cost

Accidents Can Be Avoided

SIGNAL WORDS:

Note the use of the signal words **DANGER**, **WARNING**, and **CAUTION** with the safety messages. The appropriate signal word for each message has been selected using the following guidelines:

DANGER -

Indicates an imminently hazardous situation that, if not avoided, will result in death or serious injury. This signal word is to be limited to the most extreme situations, typically for machine components that, for functional purposes, cannot be guarded.

WARNING -

Indicates a potentially hazardous situation that, if not avoided, could result in death or serious injury, and includes hazards that are exposed when guards are removed. It may also be used to alert against unsafe practices.

CAUTION -

Indicates a potentially hazardous situation that, if not avoided, may result in minor or moderate injury. It may also be used to alert against unsafe practices.

1 SAFETY (CONT'D)

YOU are responsible for the **SAFE** operation and maintenance of your Free Form equipment. **YOU** must ensure that you and anyone else who is going to operate, maintain or work around the equipment be familiar with the operating and maintenance procedures and related **SAFETY** information contained in this manual. This manual will take you step-by-step through your working day and alerts you to all good safety practices that should be adhered to while operating the unit.

Remember, **YOU** are the key to safety. Good safety practices not only protect you but also the people around you. Make these practices a working part of your safety program. Be certain that **EVERYONE** operating this equipment is familiar with the recommended operating and maintenance procedures and follows all the safety precautions. Most accidents can be prevented. Do not risk injury or death by ignoring good safety practices.

- The most important safety device on this equipment is a **SAFE** operator. It is the operator's responsibility to read and understand **ALL** Safety and Operating instructions in the manual and to follow these. All accidents can be avoided.
- Do not modify the equipment in any way. Unauthorized modification may impair the function and/or safety and could affect the life of the equipment.
- **Think SAFETY! Work SAFELY!**

1.1 GENERAL SAFETY

1. Read and understand the Operator's Manual
2. Have a first-aid kit available for use should the need arise and know how to use it.
3. Wear appropriate protective gear. This list may include but is not limited to:
 - A hard hat
 - Protective shoes with slip resistant soles
 - Protective goggles
 - Heavy gloves
 - Hearing protection

1.2 OPERATING SAFETY

1. Read and understand the Operator's Manual and all safety signs before using.
2. Attach securely to towing unit using a pin with a retainer.
3. Do not exceed a safe travel speed.
4. Use hazard flasher on towing unit when transporting.
5. Review safety instructions annually.

1.3 MAINTENANCE SAFETY

1. Follow good shop practices:
 - Keep service area clean and dry.
 - Be sure electrical outlets and tools are properly grounded.
 - Use adequate light for the job at hand.
2. Use only tools, jacks and hoists of sufficient capacity for the job.

1.4 TRANSPORT SAFETY

1. Read and understand **ALL** the information in the Operator's Manual regarding procedures and **SAFETY** when operating the swath roller in the field and/or on the road.
2. Always travel at a safe speed. Use caution when making corners or meeting traffic.
3. Make sure the reflectors required by the local highway and transport authorities are in place, are clean and can be seen clearly by all overtaking and oncoming traffic.

Note: The slow moving vehicle sign and flashing lights on the swather must be visible from behind when the MT2000 is secured in the transport position.

4. Be sure that the TB2000 is hitched positively to the towing vehicle and a retainer is used through the drawbar pin. Be sure that the MT2000 is secured properly with **both** transport locks and the pins are secured.
5. Keep to the right and yield the right-of-way to allow faster traffic to pass. Drive on the road shoulder, if permitted by law.
6. Do not exceed 20 m.p.h. (32 km/h). Reduce speed on rough roads and surfaces.

2 HYDRAULIC COMPONENTS INSTALL

2.1 HYDRAULIC FITTINGS ASSEMBLY

Refer to *Figures 2.1 & 2.2* for this step.

- At the rear of the windrower you need to build the following assembly of hydraulic fittings. (#1) 2556-89" Hydraulic Hose 6MP-6FJX90 (#5)- Quick Coupler Male x 6FP (#6)-Quick Coupler Female x 6FP (#3)-6MPR-FPL fitting (#6)-Quick Coupler Female x 6FP (#5)- Quick Coupler Male x 6FP (#2) 2555-96" Hydraulic Hose 6MP-6FJX90. Then off the left of the tee fitting (#4)-6MB-6MJ fitting (#7) 2557-72" Hydraulic Hose 6FJX-6FJX

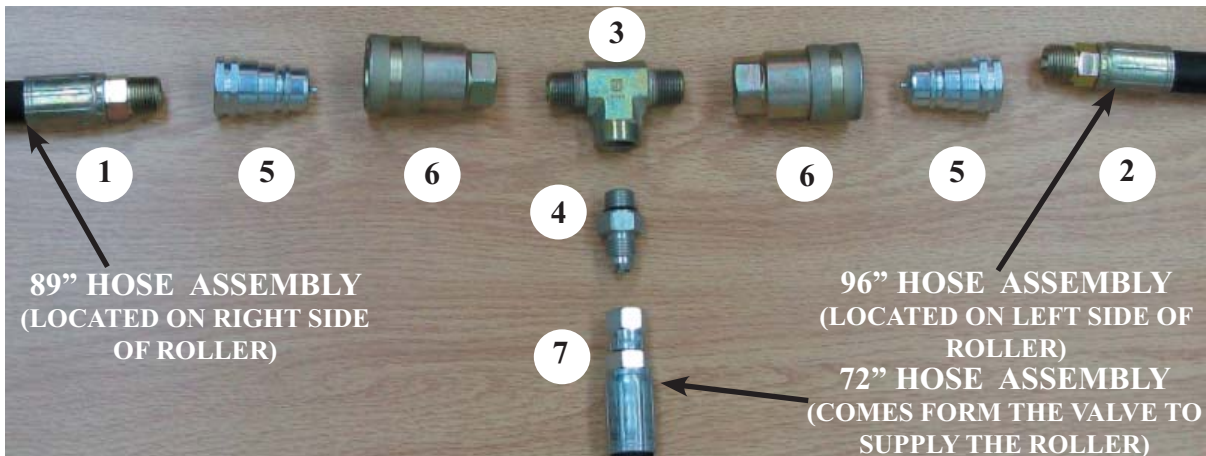


Figure 2.1 -Rod End Assembly of LEFT Cylinder

- On the cylinders, thread a 6MJ-6MP fitting (#2) into the rod ends. Attach the 89" (#1) hydraulic line to one side of the tee fitting and the 96" hydraulic line to the other via the quick connects. See *figure 2.1 & figure 2.2*

NOTE: USE HYDRAULIC APPROVED PIPE DOPE ON PIPE THREAD FITTINGS

- In the cap end of each cylinder, install a breather plug (#18) as seen in *figure 2.3*.

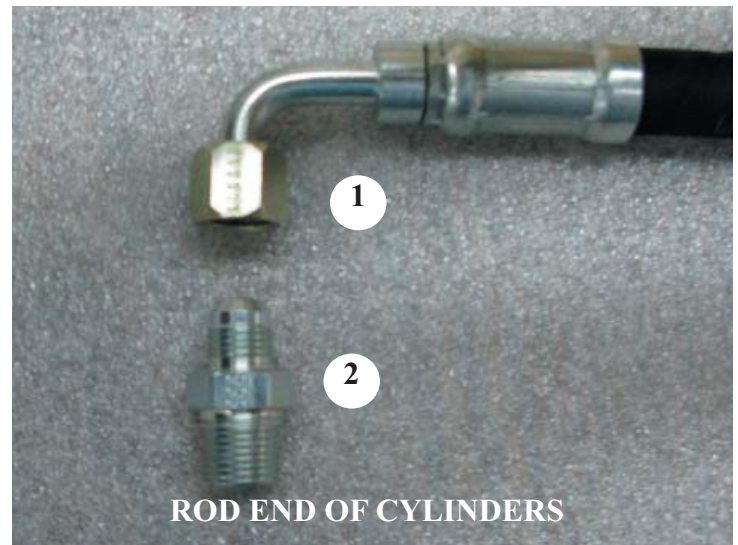


Figure 2.2 - Fitting Assembly of Cylinders



Figure 2.3 - Fitting Assembly of RIGHT Cylinder

2.2 VALVE BLOCK “AUX LIFT” INSTALL

Refer to *Figures 2.4 & 2.5* for this step.

1. Assemble the needle valve assembly as per *figure 2.4*. The parts are as follows; (#14)-6MBP in port A, (#11)-6MB-6MJ90 in port B, (#13)-6MB-6MB90 (#9)-6 ORB Needle valve, (#10)-6MB-6MJ in port C, (#10)-6MB-6MJ in port D & (#16)-Valve Solenoids (#12) Hydraulic Valve.
2. *Figure 2.5* illustrates the ideal setup for the hydraulic routing. The hydraulic cylinders (#17) are fed by a pressure line with a needle valve (#9) from the main switch block (#12) connected to port C. The one side of the block is tee'd into a fixed displacement pump (#19) circuit (#22) connecting to the block at port D. Port B on the block is tee'd into the tank line (#21). Port A is plugged (#14).
3. When the block is switched “UP” or “IN” (S1) the pump (#19) feeds the cylinders (#17) and the tank line (#21) is blocked. When the switch is in the middle position (OFF) the ram line is blocked, holding the cylinders either up or down. When the block is switched “DOWN” or “OUT” (S2), the cylinder line is connected to the tank line and the weight of the roller assembly will force the hydraulic fluid back into the tank and lower the roller assembly.
4. Note: the needle valve (#9) is used to control the speed in the up and down directions. Be sure to test the speed in both directions with the machine at operating rpm and all normal functions in operation.

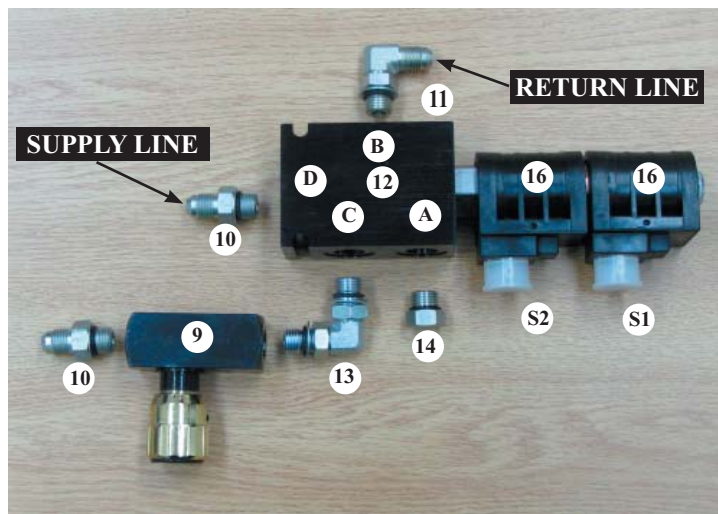


Figure 2.4 -Hydraulic Valve & fittings

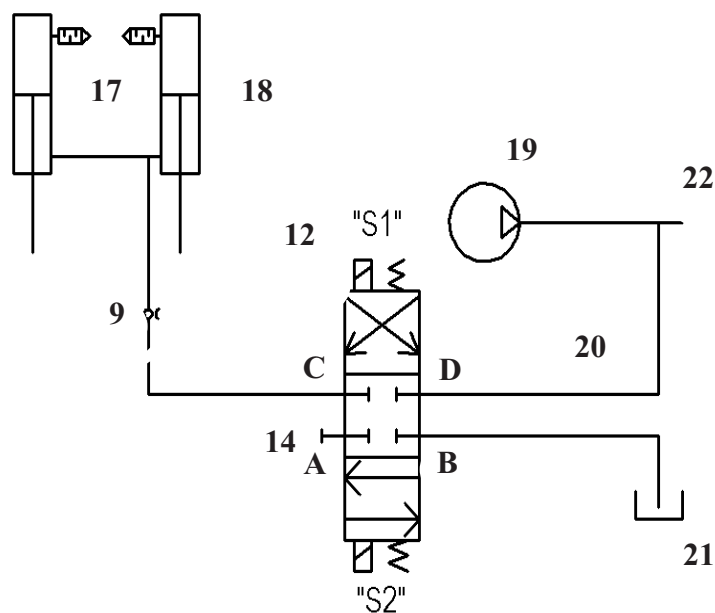


Figure 2.5 - Hydraulic Schematic

2.3 RETURN LINE HOOK UP

Refer to *Figures 2.6* for this step.

1. Return line connects from the solenoid valve provided to the draper drive valve block shown in *figure 2.6*. Refer to the Hydraulic Diagram on *page 12* for correct fitting size.

2.4 SUPPLY LINE HOOK UP

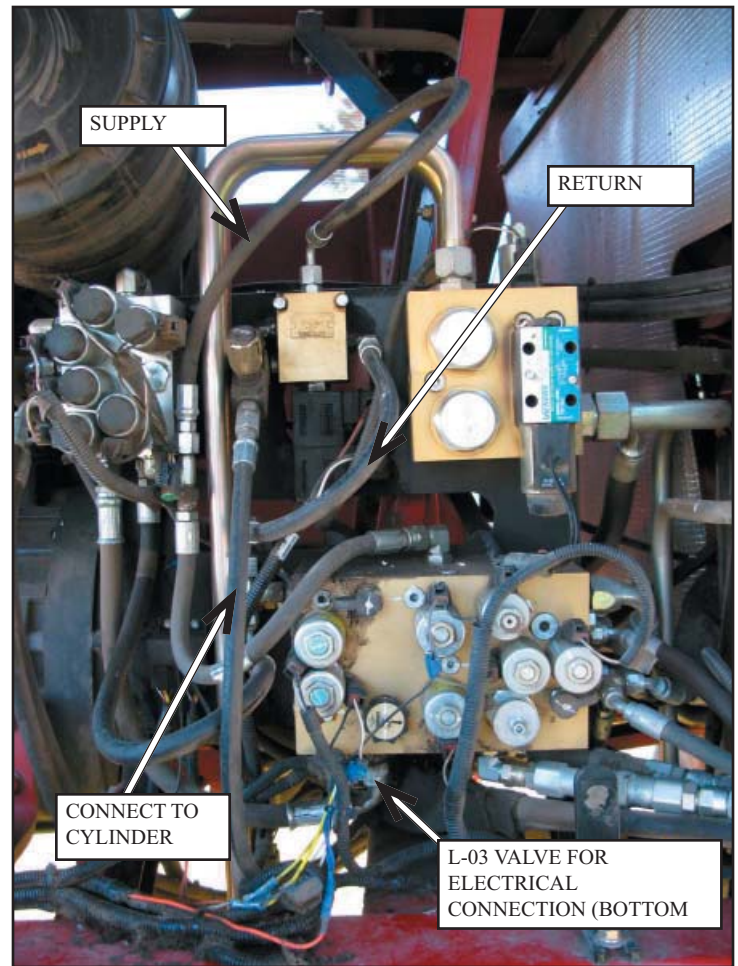
Refer to *Figures 2.6* for this step.

1. The supply line connects from the solenoid valve provided to the main valve block as shown in *figure 2.6*. Refer to the Hydraulic Diagram on *page 12* for correct fitting size.

2.5 ELECTRICAL HARNESS

Refer to the electrical diagram on page 10 for this step.

1. The supplied wiring harness will allow you to plug and play to hook up your electrical circuit.
2. Feed the switch which is connected to harness #2607 into the cab of the swather through an access port.
3. Using wire harness #2606 connect the black wire to a chassis ground or the NEG terminal of the battery and connect the red wire to an ignition switched terminal.
Note: Connecting directly to live power will leave the roller operational in the downward motion.
4. Using wire harness #2703 you will need to connect onto the “open center” solenoid valve (L-03) which will be located in the valve block on the passenger side engine access panel.
5. There is a 5A fuse built in for circuit protection.
6. Connect connectors 15A & 15B to the hydraulic switch block (#12).



ROTATION OF SHIPPING PHOTOS 008.JPG

Figure 2.6 - Hydraulic lines hook up

2.6 SOLENOID ELECTRICAL

Refer to *Figure 2.7* for this step.

1. Locate the solenoid connectors (#15A & #15B) on the end of the wire harness. The connector with the orange wire is the “UP” or “IN” circuit and must be connected to plug (S1). The connector (#15) with the white wire is to be connected to plug (S2).
2. Ensure that the supplied gasket is installed between the connector and the solenoid. The gaskets and mounting screws are in a small bag attached to the harness.

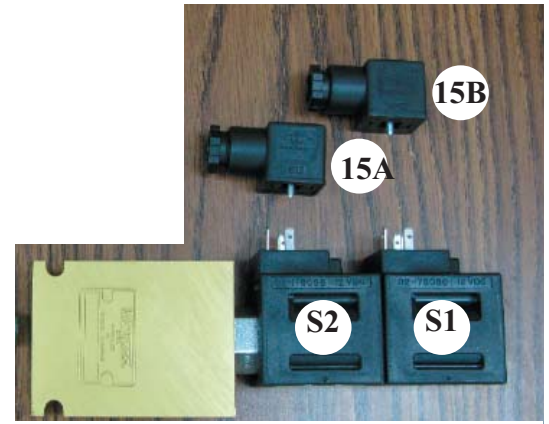


Figure 2.7 - Solenoid Connections

2.7 SWITCH INSTALL

Refer to *Figures 2.8* for this step.

1. Once the solenoid connectors are connected, run the switch into the cab of the swather.
2. Using the supplied hardware, connect the mounting bracket to the joystick post. It may be necessary to wrap some electrical or foam tape around the joystick bar to ensure a tight fit.
3. Be sure to position the switch for a comfortable operating position. Ensure that the bracket does not hinder the operation of other controls.
4. Be sure to secure the wiring via tie straps for maximum movement of multi-function handle.
5. Test the switch’s (#29) operation by operating the roller up and down with the switch.
6. If the roller is moving opposite to the switch. Unplug the two solenoid connectors (#15) and swap their positions. The switch should now operate the roller accordingly.



Figure 2.8 - Switch Installation

2.8 FINAL ASSEMBLY

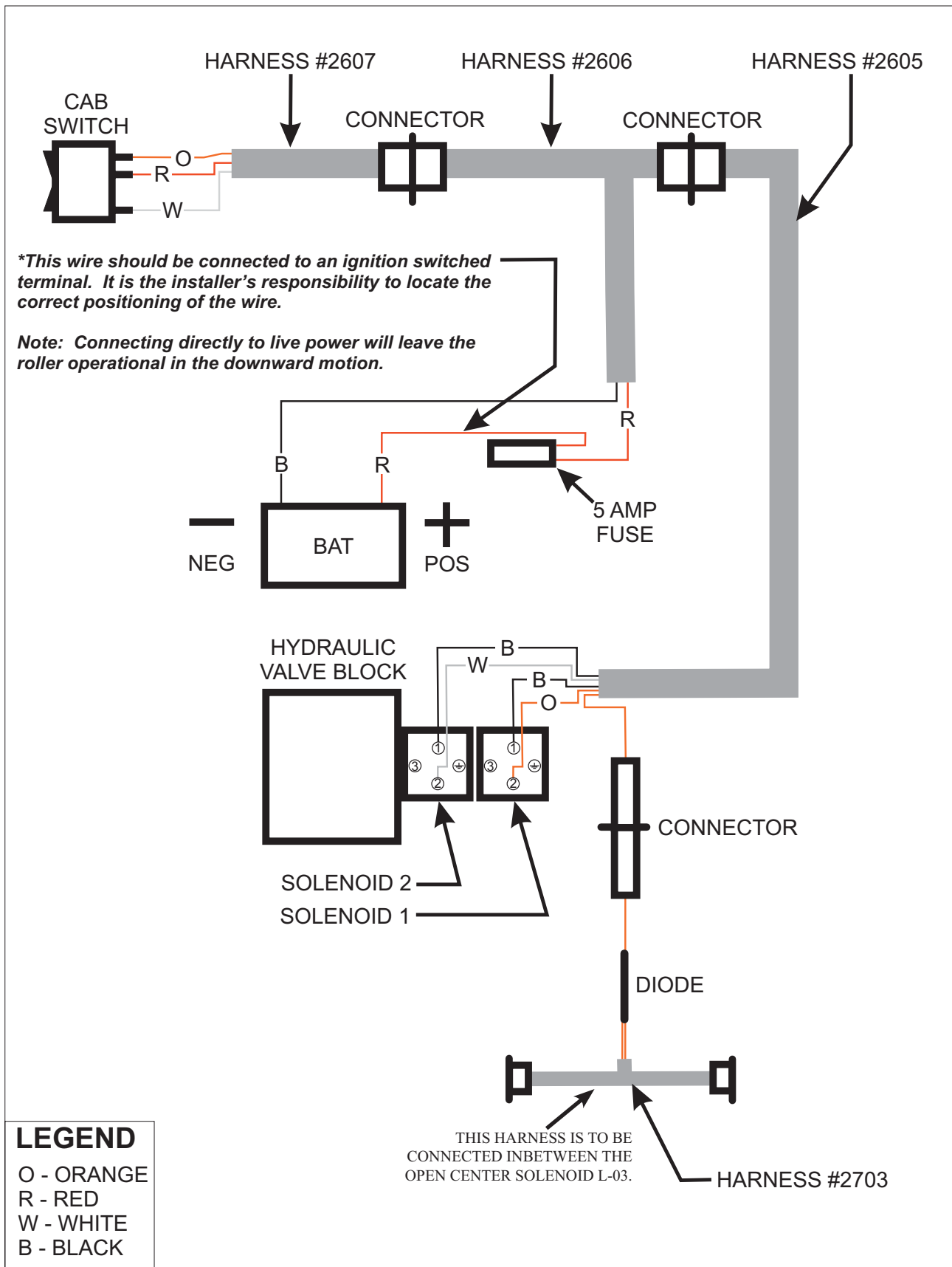
Adjust the swath roller assembly up and down. Check for binding, interference, or loose bolts. Check that the transport arms can lock into place.

Note: The SMV (Slow Moving Vehicle) sign and lights must be visible from the rear. Move the SMV sign and/or lights if required to ensure their visibility.

2.9 ELECTRICAL DIAGRAM

FFP Universal Swathroller Electrical Diagram

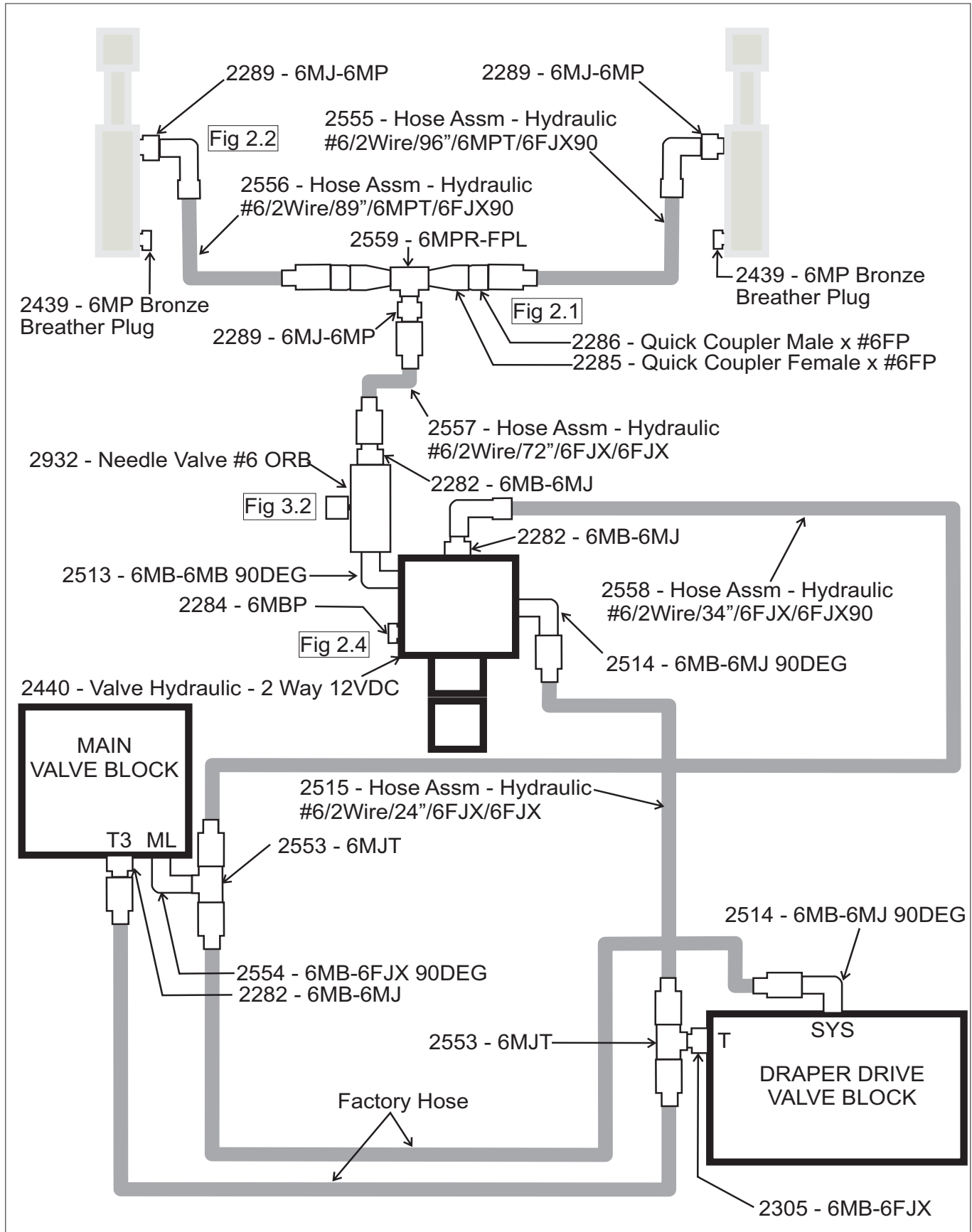
Macdon M100, New Holland 8000 Series, Case WD 3 Series, John Deere R450/R400



2.10 HYDRAULIC DIAGRAM

Case WDX1203 FFP Swathroller Hydraulic Diagram

2678-01 - FFP Swath Roller MT2000H - Case WDX1203 PKG



3 HYDRAULIC SWATH ROLLER USE AND OPERATION

3.1 ADJUSTING THE SWATH ROLLER

Refer to *Figure 3.1* for this step.

1. To adjust the width of your swath roller, loosen the two pins on each end of the swath roller.
2. Slide the ends in or out to the desired width. The width of the roller is marked on the main drum.
3. It is recommended to adjust the roller width so as to place the the average width of crop half way up the tapered end.
3. Tighten the pins once the width is set.

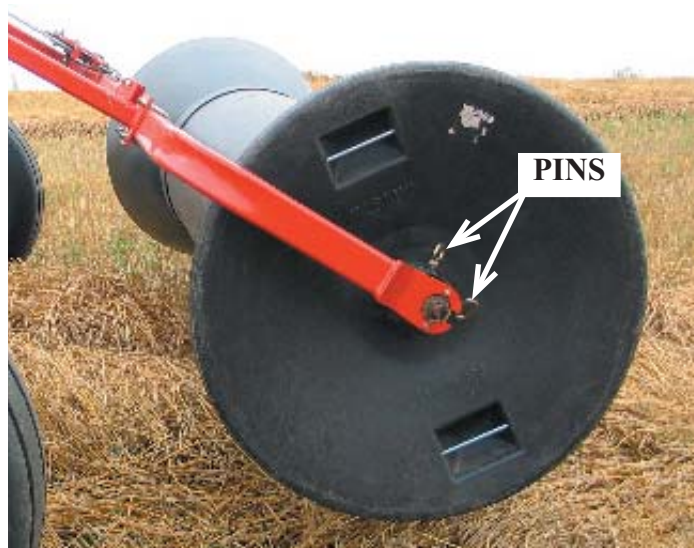


Figure 3.1 - Roller Adjustment

3.2 SETTING THE HYDRAULICS

Refer to *Figure 3.2* for this step.

1. The roller is adjustable up and down using the switch in the cab.
2. The needle valve at the front hydraulic block is used to control the rate of movement for both up and down.
3. Turning the knob **CLOCKWISE** will **SLOW** the roller's rate of movement while turning the knob **COUNTER CLOCKWISE** will **INCREASE** the roller's rate of movement.
4. After cycling the roller up and down a few times, check the swather's hydraulic fluid level and top up if required.

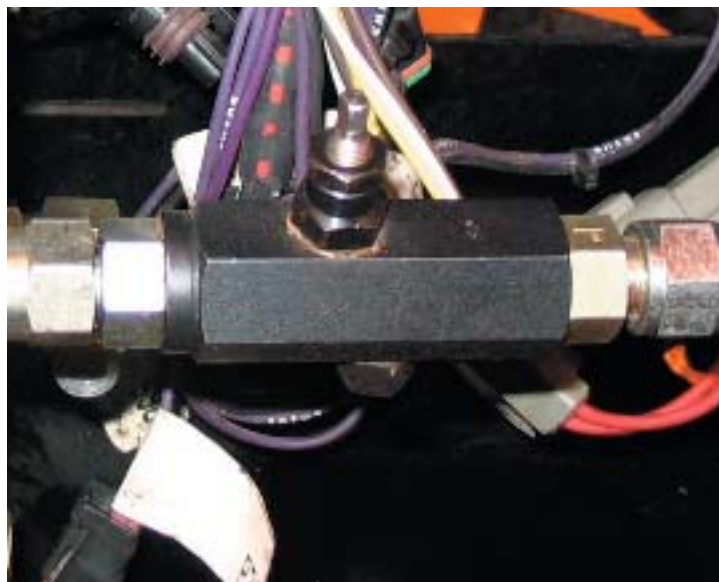


Figure 3.2 - Needle Valve
(Photo may not match the valve supplied)

3.3 SETTING THE DEPTH

Refer to *Figure 3.3* for this step.

1. The roller assembly can be set to lower to a predetermined stop point using the bars next to the hydraulic rams.
2. Using a combination of the holes on the main bar and the holes of the sliding collar (#20), you can set the roller's minimum height.
3. Secure the collar (#20) with the supplied locking pin (#13).

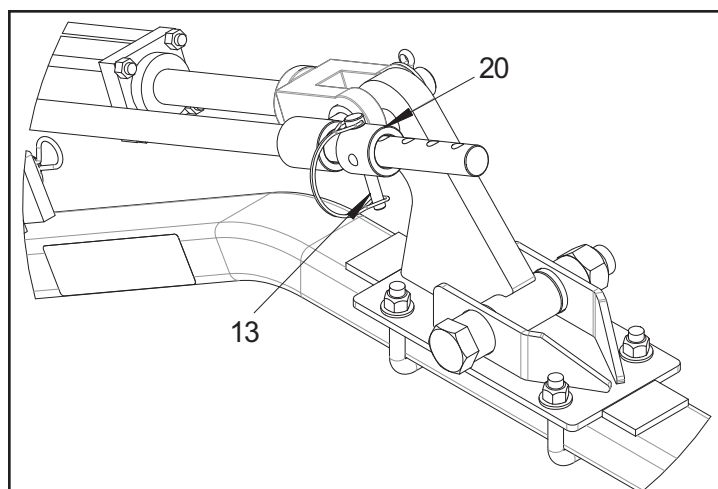


Figure 3.3 - Depth Adjustment

3.4 TRANSPORT LOCKS

Refer to *Figure 3.4* for this step.

1. When transporting the swather or while driving the unit on roadways, use the roller assembly's transport locks. This will take the weight off of the hydraulic components and increase service life.
2. Remove the pin (#16) from the ram/cylinder mounting tab (#24), location "A".
3. Raise the swath roller until the hole in transport lock lever (#25) lines up with the holes on the ram/cylinder mounting tab (#24).
4. Insert the pin (#16) through all holes and secure with a cotter pin (#12).
5. Lower the roller to relieve pressure on the hydraulics.

NOTE: If you are having trouble getting the pins into the transportation locks you can rotate(thread) the rod clevis end to adjust to fit.

Caution: *Before operation of machine ensure adequate distance between the roller and the exhaust pipe. Heat from the exhaust can cause roller deformation. This will void warranty on the roller.*

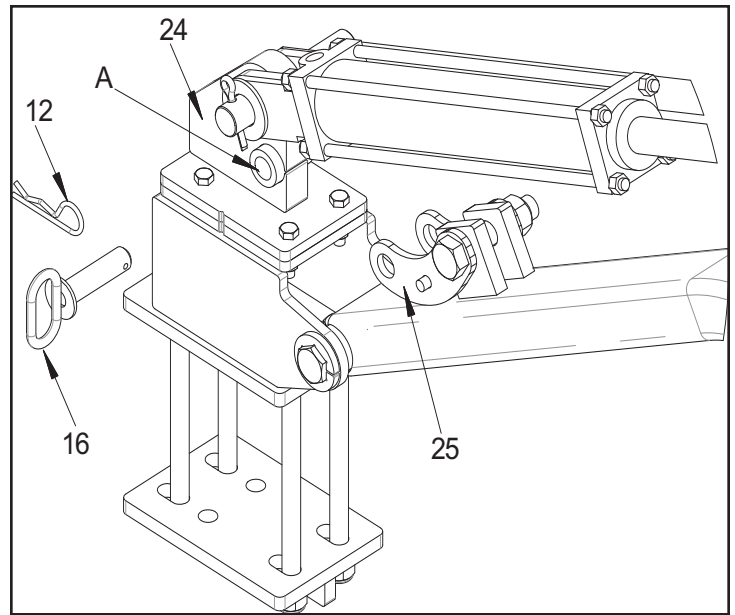
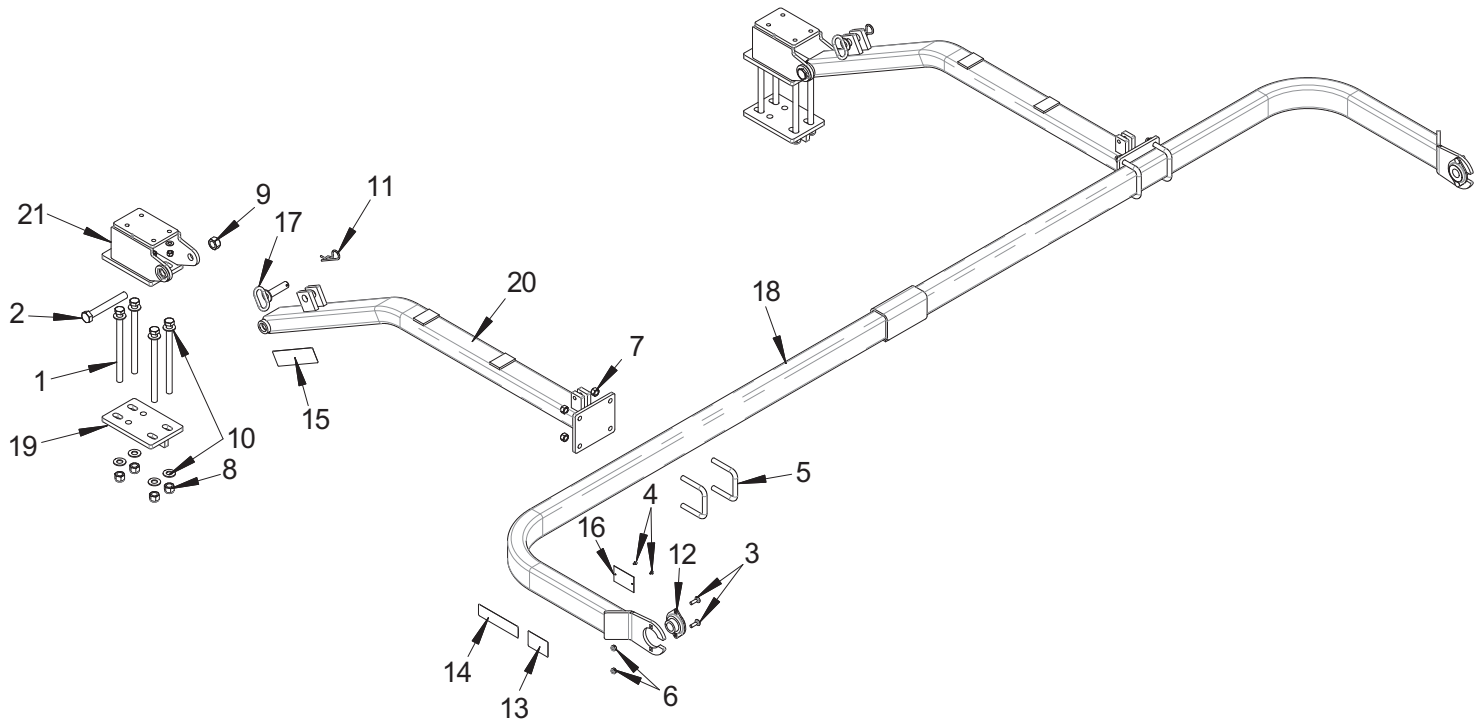


Figure 3.4 - Transport Lock

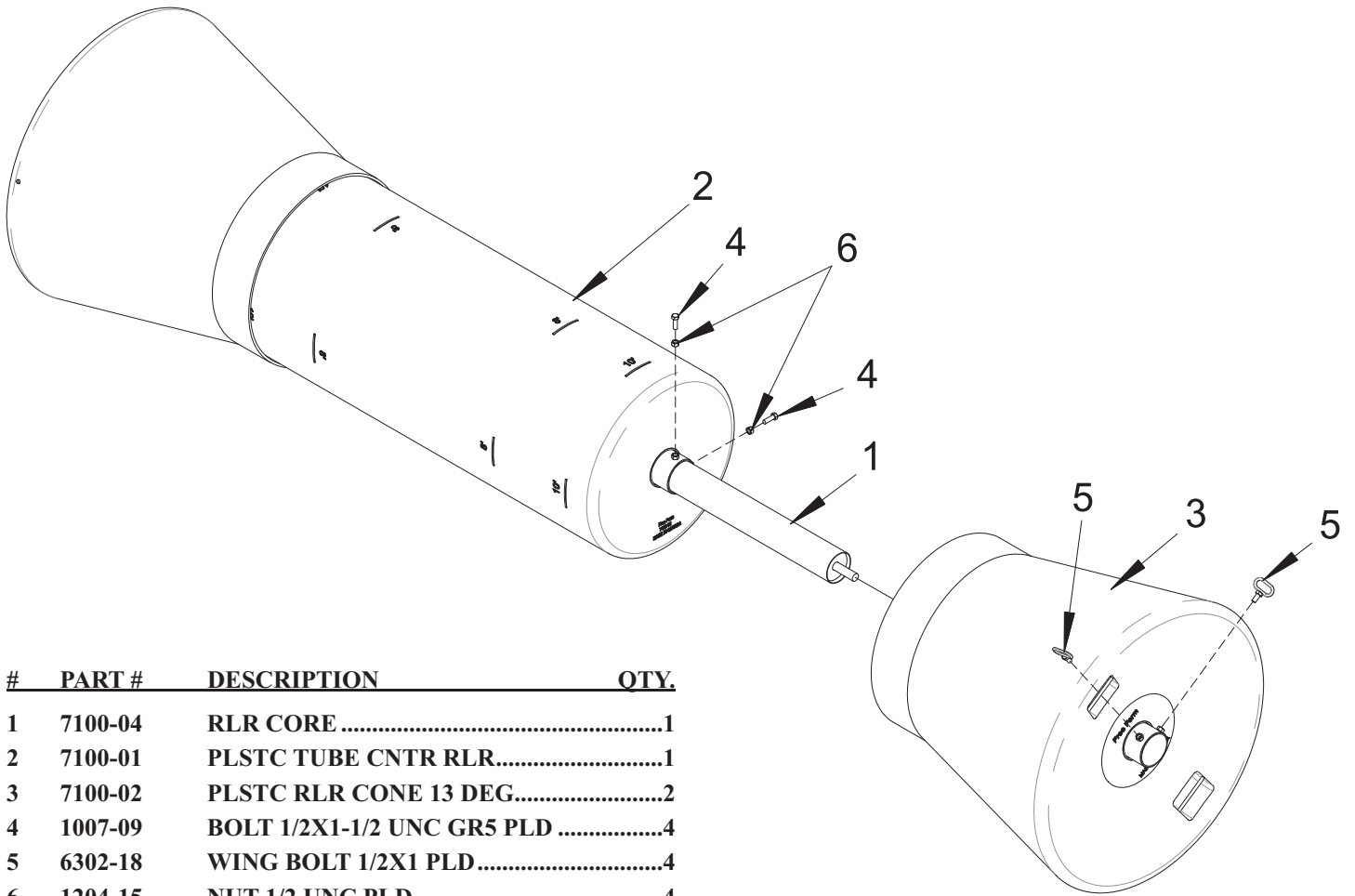
4 PARTS

4.1 SWATHROLLER COMMON ASSEMBLY



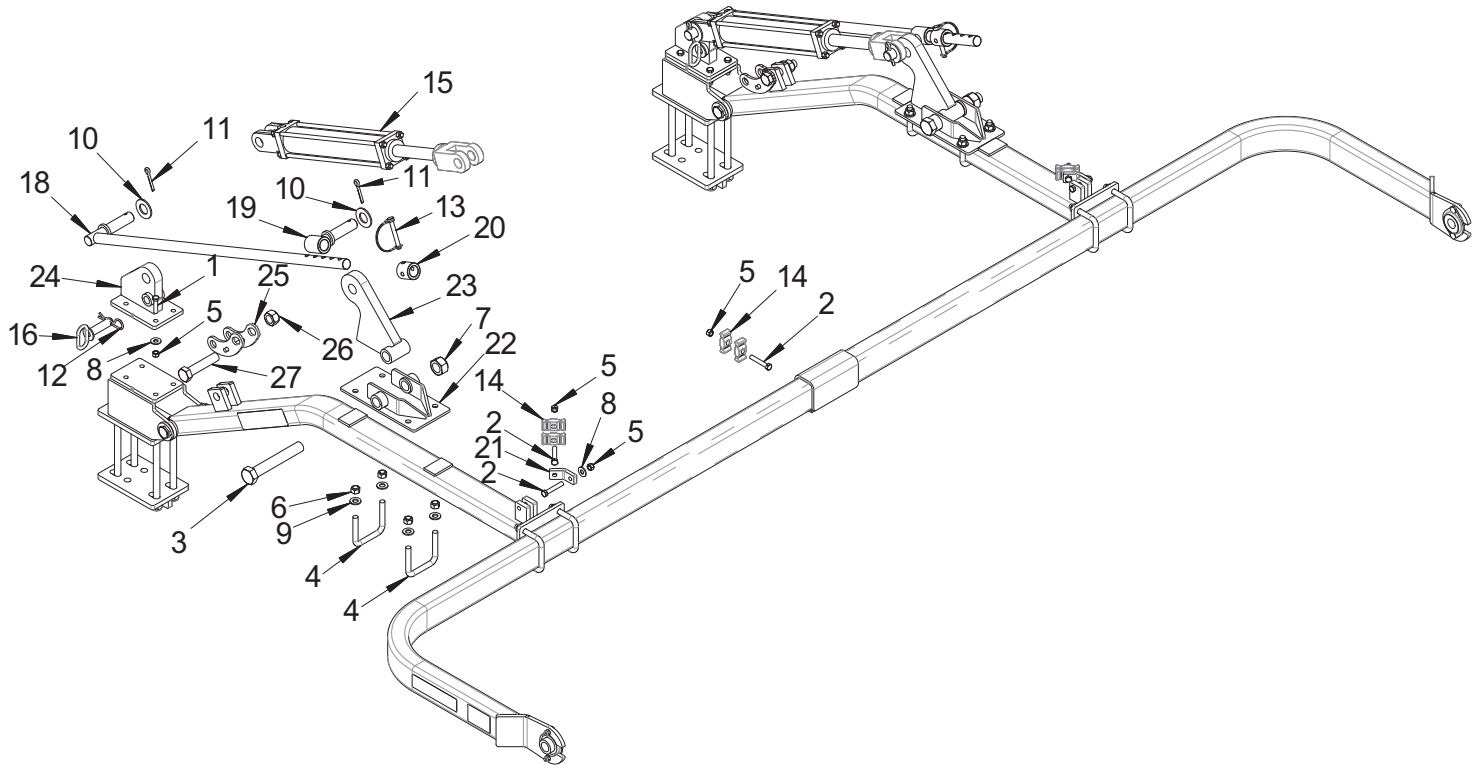
#	PART #	DESCRIPTION	QTY.
1	1010-75	BOLT 5/8X9 UNC GR5 PLD.....	8
2	1012-45	BOLT 3/4X5-1/2 UNC GR5 PLD	2
3	1102-03	BOLT CRG 5/16X1 UNC GR5 PLD.....	4
4	1112-20	SCR TYPE F TPG #6-32 X 1/4.....	2
5	1180-19	UBLT SQ 1/2X3-1/8X3-1/8 UNC G5.....	4
6	1201-05	LKNT NYL 5/16 UNC PLD	4
7	1204-05	NUT PTRQ PLD 1/2 UNC GR B ZDW	8
8	1206-05	LKNT NYL 5/8 UNC PLD	8
9	1207-07	NUT PTRQ TL 3/4 UNC GR B CDW	2
10	1325-33	WSHR 5/8 SAE PLD	16
11	1500-35	PIN HAIR #9.....	2
12	2125-07	BRG 1IN 2-BOLT FLG LOCK COLLAR..	2
13	3900-33-01	DECAL AMBER REF 2X3.....	2
14	3904-21	DCL MT 2000.....	2
15	3904-26	DCL FREE FORM 1-3/4 X 7.....	2
16	3910-03	PL SN FREE FORM STAMPED.....	1
17	7100-43	PIN 3/4X2-1/2.....	2
18	7100-50	MAIN BEAM MT RLR	1
19	7100-58	TWR BACK PL.....	2
20	7101-08	ARM EXT MNT COM FF SW	2
21	7101-19	TWR ASSY, HIGH LIFT.....	2

4.2 SWATHROLLER DRUM ASSEMBLY



#	PART #	DESCRIPTION	QTY.
1	7100-04	RLR CORE	1
2	7100-01	PLSTC TUBE CNTR RLR.....	1
3	7100-02	PLSTC RLR CONE 13 DEG.....	2
4	1007-09	BOLT 1/2X1-1/2 UNC GR5 PLD	4
5	6302-18	WING BOLT 1/2X1 PLD.....	4
6	1204-15	NUT 1/2 UNC PLD.....	4

4.3 SWATHROLLER HYDRAULIC ASSEMBLY



#	PART #	DESCRIPTION	QTY.
1	1004-05	BOLT 3/8X1-1/2 UNC GR5 PLD	8
2	1004-23	BOLT 3/8X2-1/4 UNC GR5 PLD	5
3	1015-40	BOLT 1X6-1/2 UNC GR5 PLD	2
4	1180-19	UBLT SQ 1/2X3-1/8X3-1/8 UNC G5	4
5	1202-30	NUT PTRQ TL 3/8 UNC GR B ZDW	13
6	1204-05	NUT PTRQ PLD 1/2 UNC GR B ZDW	8
7	1209-07	NUT PTRQ TL 1 UNC GR B ZDW	2
8	1325-15	WSHR 3/8 PL PLD	10
9	1325-27	WSHR 1/2 SAE PLD	8
10	1325-45	WSHR 1 SAE PLD	4
11	1500-23	PIN COT 1/4X2 PLD	4
12	1500-35	PIN HAIR #9	2
13	1600-44	PIN LK 3/8X2-1/2 PLD	2
14	1800-25	MOULDING PLSTC LINE HLDN	6
15	3300-73	CYL HYD 2X12X1-1/8	2
16	7100-43	PIN 3/4X2-1/2	2
18	7101-14	PIN HYD STOP ADJ PLD	2
19	7101-15	PIN WITH CLR HYD STOP PLD	2
20	7101-16	HYD DEPTH ADJ STOP	2
21	7101-17	PL 3/8X1 HYD HOSE BRKT	2
22	7101-18	MT HYD FLOAT TAB PVT WIDE	2
23	7101-20	CYL LUG, FLOTG	2
24	7101-21	CYL LUG, HIGH LIFT	2
25	7101-22	TRNPT LOCK, HIGH LIFT	2
26	1207-07	NUT PTRQ TL 3/4 UNC GR B CDW	2
27	1012-25	BOLT 3/4X3-1/2 UNC GR5 PLD	2

4.4 SWATHROLLER HYDRAULIC FITTINGS

2678-01 Swath Roller MT - Case WD 3 PKG

Component	Description	QtyPer	UOM
1010-73	Bolt 5/8" x 8" UNC GR 5 PLD	8	EA
2282	Hydraulic Fitting - 6MB-6MJ	3	EA
2284	Hydraulic Fitting - 6MBP	1	EA
2285	Hydraulic Fitting - Quick Coupler Female x #6FP	2	EA
2286	Hydraulic Fitting - Quick Coupler Male x #6FP	2	EA
2287	Hydraulic Fitting - 6MP-6MP	2	EA
2289	Hydraulic Fitting - 6MJ-6MP	3	EA
2305	Hydraulic Fitting - 6MB-6FJX	1	EA
2439	Hydraulic Fitting - 6MP Bronze Breather Plug	2	EA
2440	Valve Hydraulic - 2 Way 12VDC	1	EA
2511	Packaging Box Cardboard 16" x 16" x 8"	1	EA
2513	Hydraulic Fitting - 6MB-6MB 90DEG	1	EA
2514	Hydraulic Fitting - 6MB-6MJ 90DEG	2	EA
2515	Hose Assm - Hydraulic #6/2Wire/24"/6FJX/6FJX	1	EA
2516-01	Velcro 3/4 X 25YD ROLL PSA LOOP	1	IN
2516-02	Velcro 3/4 X 25YD ROLL PSA HOOK	1	IN
2553	Hydraulic Fitting - 6MJT	2	EA
2554	Hydraulic Fitting - 6MB-6FJX 90 DEG	1	EA
2555	Hose Assm - Hydraulic #6/2Wire/96"/6MPT/6FJX90	1	EA
2556	Hose Assm - Hydraulic #6/2Wire/89"/6MPT/6FJX90	1	EA
2557	Hose Assm - Hydraulic #6/2Wire/72"/6FJX/6FJX	1	EA
2558	Hose Assm - Hydraulic #6/2Wire/34"/6FJX/6FJX90	1	EA
2559	Hydraulic Fitting - 6MPR-FPL	1	EA
2605	FFP MT200HU Harness 1 - Solenoid	1	EA
2606	FFP MT200HU Harness 2 - Battery	1	EA
2607	FFP MT200HU Harness 3 - Switch	1	EA
2703	FFP MT200HU Harness Adapter - Deutsch Connectors	1	EA
2917	Swath Roller - BRKT NH H8000 SMV Sign	1	EA
2918	Swath Roller - 16" Arm Ext Kit	1	EA
2932	Valve Hydraulic - Needle #6 ORB	1	EA
6000-83	Bolt U RND 1/4" x 1 1/8" x 2" Zinc	1	EA
7101-00-13	SWTH RLR MT2000HU Case WD 3 Series Manual	1	EA