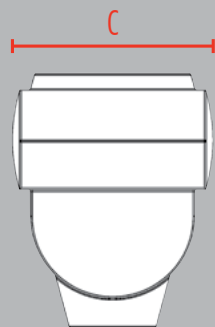
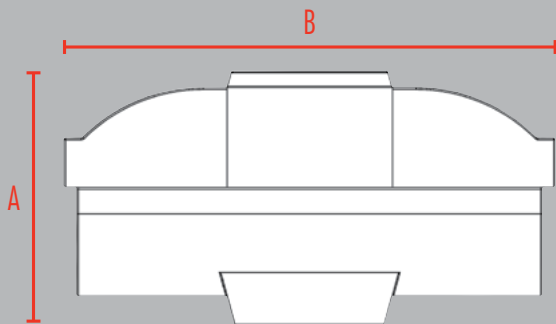


AUXILIARY SPRAYER TANK



CAPACITY		SPECIFICATIONS					
IMP. GAL.	U.S. GAL.	HEIGHT A	LENGTH B	WIDTH C	LID SIZE	STANDARD FITTING	PART NUMBERS
200	240	45- ³ / ₄ "	77- ¹¹ / ₁₆ "	27- ³ / ₈ "	16"	2" HD	1179
175	210	43"	63- ¹ / ₂ "	27- ³ / ₈ "	16"	2" HD	1611
125	150	30- ⁹ / ₁₆ "	63- ¹ / ₂ "	27- ³ / ₈ "	16"	2" HD	1135

- ▶ Auxiliary sprayer tanks are available in translucent white and black.
- ▶ All translucent and black tanks are potable and manufactured from materials that meet FDA Regulations 21 CFR 177.1520 and may be used to contain materials for human consumption.
- ▶ All tanks have greater than UV20 protection to prevent deterioration from sunlight.
- ▶ Tanks come standard with 16" vented lid, bulkhead fitting and built-in sump for more complete drainage.
- ▶ Auxiliary Sprayer Tanks are typically used to contain liquids with densities up to 14 lb per gallon.
- ▶ Auxiliary Sprayer tanks carry a 1 Year Warranty against defects in workmanship.

LIQUID FERTILIZER SCALE STATION



- ▶ Heavy-duty design for ground-level or over-head applications.
- ▶ Metal edging around perimeter to allow for easy calibration.
- ▶ Currently available in 1500, 2000, 2500 imperial gallons (1800, 2400 & 3000 U.S. gal.)
- ▶ Cone bottom poly tanks have optimum 10° slope.
- ▶ Can be filled from the top or bottom.
- ▶ Shielded load cells.
- ▶ Anti-Vortex fitting.
- ▶ Full metal bottom.
- ▶ Tank tie-downs.
- ▶ Custom manufacturing available, call Free Form for details.

