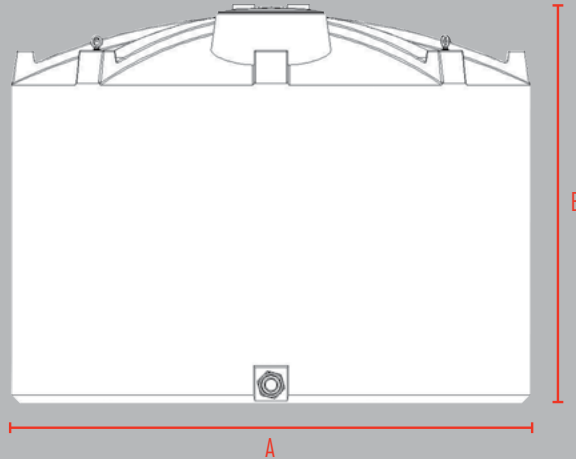


VERTICAL TANK

VERTICAL FLAT BOTTOM

- 1 Heavy-duty, reinforced ribbed dome prevents sagging.
All tanks have greater than UV20 protection to prevent deterioration from sunlight.
- 2 16" Vented Hinged Lid.
- 3 Gallonage Indicator - All tanks have been calibrated, and indicate fluid levels.
- 4 Banjo heavy-duty bulkhead fitting and interior siphon tube for more complete drainage. *(An optional 2" Banjo heavy-duty bulkhead fitting is available in lieu of the standard 3" on all large size tanks.)*



VERTICAL FLAT BOTTOM TANK SPECIFICATIONS

| CAPACITY | | SPECIFICATIONS | | | | PART NUMBER | | | |
|-----------|-----------|----------------|--------|----------|------------------|-------------|----------|----------|----------|
| IMP. GAL. | U.S. GAL. | DIM. A | DIM. B | LID SIZE | STANDARD FITTING | SD WHITE | HD WHITE | SD BLACK | HD BLACK |
| 5000 | 6000 | 120" | 139" | 16" | 3" HD | 2298 | 2299 | 2415 | 2416 |
| 3700 | 4440 | 104" | 134" | 16" | 3" HD | 1332 | 1333 | 1334 | 1335 |
| 2500 | 3000 | 102" | 93" | 16" | 3" HD | 1328 | 1329 | 1330 | 1331 |
| 2000 | 2400 | 102" | 78" | 16" | 3" HD | 1324 | 1326 | 1325 | 1327 |
| 1750 | 2100 | 92" | 88" | 16" | 3" HD | 1056 | 1054 | 1047 | 1053 |
| 1500 | 1800 | 102" | 60" | 16" | 3" HD | 1425 | 1426 | 1427 | 1428 |
| 1400 | 1680 | 88" | 74" | 16" | 3" HD | 1411 | 1412 | 1413 | 1414 |
| 1250 | 1500 | 88" | 68" | 16" | 3" HD | 1407 | 1408 | 1409 | 1410 |
| 590 | 708 | 48" | 102" | 12" | 2" HD | 26004-32 | 26004-34 | 26004-33 | 26004-35 |
| 500 | 600 | 57" | 60" | 8" | 2" HD | 1373 | 1153 | 1429 | 1430 |

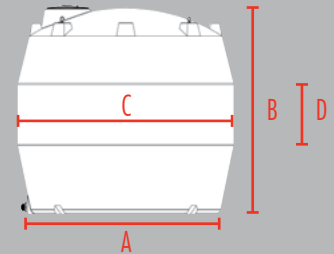
SD tanks the Standard-Duty (SD) version is used for water and other liquids with densities up to 14 lb per gallon.

HD tanks the Heavy-Duty (HD) version is specifically designed for liquid fertilizers and other liquids with densities up to 20 lb per gallon.

Free Form's 1750 imperial gallon flat bottom tank is specifically designed to fit most truck boxes where larger capacities are needed but the truck box width is limited.

VERTICAL 1750 IMP. GAL. FLAT BOTTOM

| CAPACITY | | SPECIFICATIONS | | | | | |
|-----------|-----------|----------------|--------|--------|--------|----------|------------------|
| IMP. GAL. | U.S. GAL. | DIM. A | DIM. B | DIM. C | DIM. D | LID SIZE | STANDARD FITTING |
| 1750 | 2100 | 80" | 88" | 92" | 26" | 16" | 3" HD |



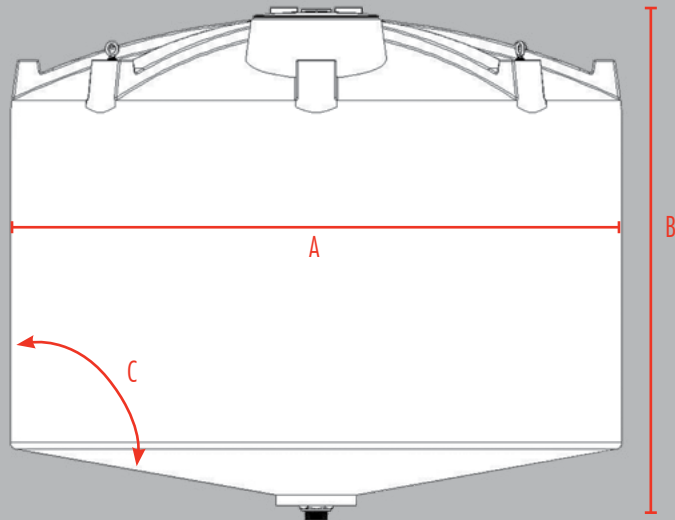
VERTICAL CONE BOTTOM

Cone bottom tanks feature a 10 degree slope which means lower overall heights, complete product drainage, and a more stable load when transporting.

- ▶ All tanks, except low-profile, are available in translucent white, black, or GEN2. Low-profile tanks are available in translucent white, and GEN2. *(Black and GEN2 tanks eliminate algae formation.)*



- ▶ All tanks are manufactured from materials that meet FDA Regulations 21 CFR 177.1520, and may be used to contain materials for human consumption.
- ▶ Sight gauges available to allow product visibility in black and GEN2 tanks.



VERTICAL CONE BOTTOM TANK SPECIFICATIONS

| CAPACITY | | SPECIFICATIONS | | | | | | PART NUMBER | | | |
|-----------|-----------|----------------|---------|--------|----------|------------------|----------|-------------|----------|----------|--|
| IMP. GAL. | U.S. GAL. | DIM. A | DIM. B | DIM. C | LID SIZE | STANDARD FITTING | SD WHITE | HD WHITE | SD BLACK | HD BLACK | |
| 3700 | 4440 | 104" | 136" | 10° | 16" | 3" HD | 1341 | 1339 | 1431 | 1432 | |
| 2500 | 3000 | 102" | 95" | 10° | 16" | 3" HD | 1342 | 1338 | 1433 | 1434 | |
| 2000 | 2400 | 102" | 80" | 10° | 16" | 3" HD | 1343 | 1340 | 1435 | 1436 | |
| 1500 | 1800 | 102" | 62" | 10° | 16" | 3" HD | 1400 | 1401 | 1402 | 1403 | |
| 1400 | 1680 | 88" | 76" | 10° | 16" | 3" HD | 1419 | 1420 | 1421 | 1422 | |
| 1250 | 1500 | 88" | 70" | 10° | 16" | 3" HD | 1415 | 1416 | 1417 | 26000-14 | |
| 22 | 26.4 | 22-1/2" | 21-1/4" | 10° | 12" | 3/4" | 1148 | N/A | N/A | N/A | |
| 12 | 14.4 | 19" | 16-1/2" | 10° | 12" | 3/4" | 2400-68 | N/A | N/A | N/A | |