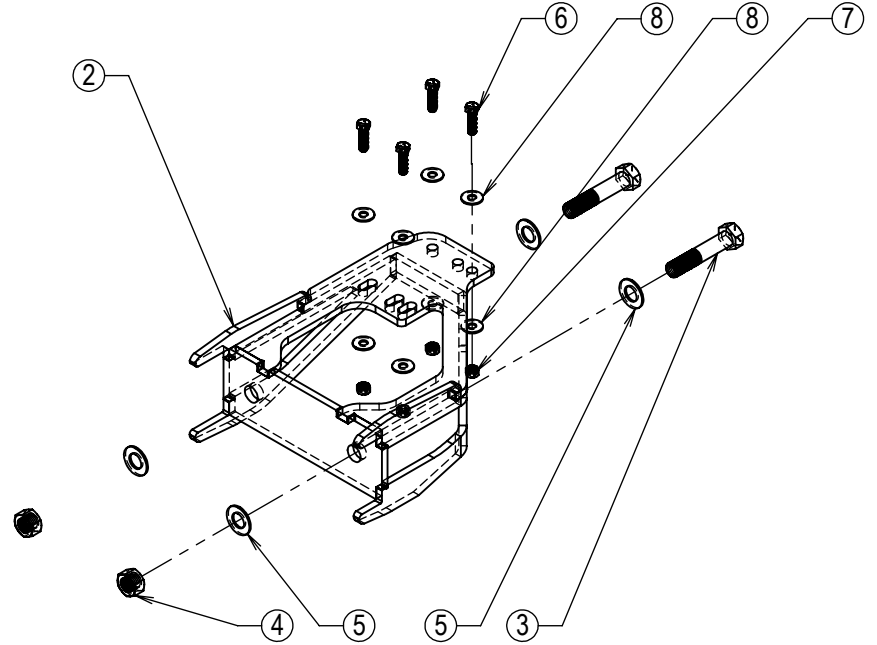


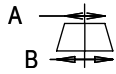
ITEM NO.	PART NUMBER	QTY.
1	26002-43R	1
2	26002-43L	1
3	1015-25	4
4	1209-07	4
5	1325-45	8
6	1007-17	8
7	1204-15	8
8	1325-30	16



Quality Check:
1. General Inspection

TOLERANCES UNLESS OTHERWISE SPECIFIED:

ANGLES $\pm 1^\circ$ FRACTIONS $\pm 1/16"$
 DECIMALS FRACTIONAL HOLES:
 .XX $\pm .01"$ A: $+0.020", -0.010"$
 .XXX $\pm .005"$ B: $+0.150", -0.010"$



REV	DATE	REVISION	CB	MD BY
R00	1-Apr-16	COMPLETED DRAWING		KCL

FREEFORM PLASTICS

ST. BRIEUX, SASKATCHEWAN CANADA S0K 3V0

SR-EXT BRKT KIT MF9800

DATE 01-APR-16	DRN BY KCL	SCALE 1:12	DWG SIZE A
DOCUMENT NO. 26002-43	WEIGHT 81.264 LB	COLOR NONE	

THE INFORMATION CONTAINED IN THIS DOCUMENT IS THE SOLE PROPERTY OF BOURGAULT INDUSTRIES LTD. USE SHALL BE LIMITED TO THE PURPOSE FOR WHICH THE INFORMATION HAS BEEN PROVIDED. ANY REPRODUCTION OR DISCLOSURE TO THIRD PARTIES, IN WHOLE OR PART, WITHOUT THE WRITTEN PERMISSION OF BOURGAULT INDUSTRIES LTD. IS PROHIBITED.