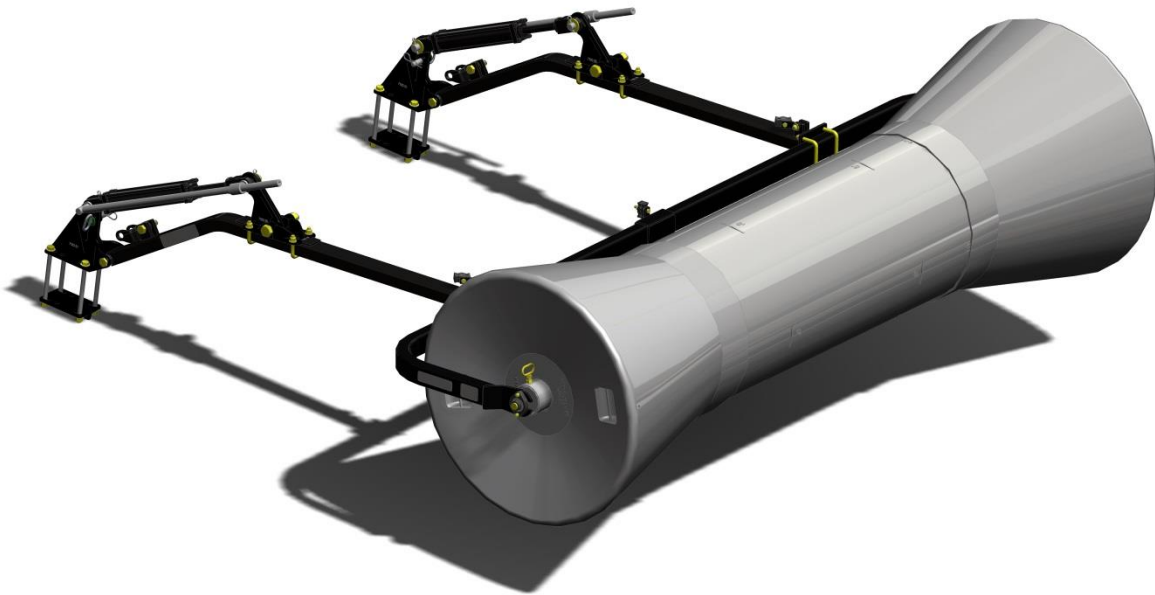


Freeform

PLASTICS

A Division of Bourgault Industries Ltd.

MT HYDRAULIC SWATH ROLLER
Model – AGCO WR9900 Series
Kit Part No. 2876-01
ASSEMBLY INSTRUCTIONS & OPERATION



It is recommended to carefully follow the detailed steps of the assembly manual for the simplest and quickest assembly of the kit. Please check crate packing list against contents to be sure all parts have been received.

On all Free Form equipment, left and right are determined by standing behind the machine and looking forward.

PRINTED IN CANADA
7101-00-21

Contents

WARRANTY POLICY	1
FREE FORM WARRANTY POLICY	1
LIMITED WARRANTY REPAIR PERIOD AND REMEDIES	1
EXTENDED WARRANTY	1
EXCEPTIONS TO THIS WARRANTY	2
OWNER'S OBLIGATION	3
SAFETY	3
SAFETY ALERT SYMBOL	3
WHY IS SAFETY IMPORTANT TO YOU?	3
SIGNAL WORDS	3
DANGER	4
WARNING	4
CAUTION	4
GENERAL SAFETY	4
OPERATING SAFETY	5
MAINTENANCE SAFETY	5
TRANSPORT SAFETY	5
CONFIRM COMPONENTS	6
HYDRAULIC PLUMBING ASSEMBLY	7
PARTS	10
SR MT-MF WR9900 SERIES PKG (2876-01)	10
LEGAL DISCLAIMER	11

WARRANTY POLICY

FREE FORM WARRANTY POLICY

Free Form Plastic Products (Referred to as Free Form) warrant its new, unused, equipment to be free of defects in material and workmanship at time of the delivery according to the Free Form Warranty Policy.

LIMITED WARRANTY REPAIR PERIOD AND REMEDIES

Free Form will repair or replace, at its option, without charge for parts or labour, any parts that fail due to defects in the workmanship of the equipment for a period of twelve (12) months from delivery to the first retail purchaser. This warranty does not cover failure due to abuse or misapplication of the product.

NOTE: A Free Form Manufactured Part is any part which has been manufactured by Free Form. Parts purchased from an outside supplier are not considered to be manufactured by Free Form.

Any parts that are covered by an Extended Warranty published by Free Form are an exception to the Basic Policy and are to be warranted as per the details of the extended warranty. The extended warranty policy may change from time to time without prior notice from Free Form.

EXTENDED WARRANTY

Cultivator shanks are warranted 100% against breakage for five (5) years from the date of machine delivery to the first retail customer. Breakage after the fifth year will be covered at 50% warranty. Shanks are not warranted against bending; however, a bent shank policy is in place to cover bent shanks at 50% warranty for the lifetime of the machine. All replacement shanks are warranted as per original delivery date of the machine to the first retail customer.

Fenders are warranted 100% against defects in materials and workmanship for a period of thirty-six (36) months from the delivery to the first retail purchaser.

Polytoons are warranted 100% against defects in materials and workmanship for a period of twenty-four (24) months from the delivery to the first retail purchaser.

Standard duty tanks are warranted 100% against defects in materials and workmanship for a period of thirty-six (36) months from delivery to the first retail purchaser.

Heavy duty tanks are warranted 100% against defects in materials and workmanship for a period of sixty (60) months from delivery to the first retail purchaser.

EXCEPTIONS TO THIS WARRANTY

- a) In no event shall the owner be entitled to recover costs for incidental, special or consequential damages such as, but not limited to: loss of crop, loss of profit or revenue, other commercial losses, inconvenience or replacement equipment rental cost.
- b) Repair, Maintenance, and Service items not related to defects:
- 1) Loss or damage during shipment (see Free Form Whole goods Shipping Policy)
 - 2) Failure resulting from lack of or improper maintenance.
 - 3) Damage caused by operator abuse, negligence, or improper operation.
 - 4) Non-defective items replaced due to customer demand unless authorized by Free Form.
 - 5) Non-reimbursable maintenance items including but not limited to oil, grease, chains, etc.
 - 6) Any and all costs for repairs or replacement of parts not shown to be defective.
 - 7) Damage due to accidents.
- c) Cultivator Sweeps, Reversible Chisels, and Ground Engaging Tools are not covered under this warranty policy, but by the warranty policy of their manufacturer.
- d) Rubber Tires are warranted directly by the tire manufacturer's agents only, and not by Bourgault.
- e) Replacement Parts will be warranted for the balance of the first 12 month warranty period or 90 days from the date of installation, whichever is longer; providing the bill of sale is attached to the warranty claim.
- f) The warranty period for equipment purchased by a “custom operator” is limited to 6 months from the date of delivery to the custom operator or as per the requirements as set out by law in the jurisdiction of the retail customer. A “custom operator” means a person/corporation who purchases a new farm implement and uses or permits the use of that farm implement for hire or for service to others for valuable consideration to the extent of at least 50% of the annual use of that farm implement. Free Form extended warranty does not apply to custom operators.
- g) The terms of this warranty are subject to Provincial and State Legislation. Free Form reserves the right to make changes in accordance with these Acts at any time without notification or obligation. The stated warranty contained in the Free Form Warranty Policy applies in all situations unless the law provides a greater warranty in the jurisdiction of the retail customer.
- h) Free Form reserves the right to continually improve its equipment and reserves the right to change products or specifications at any time without notice or obligation.

OWNER'S OBLIGATION

It is the responsibility of the owner, at the owner's expense, to transport the equipment to the service shop of an authorized Free Form Dealer (place of purchase) or alternately to reimburse the dealer for any travel or transportation expense involved in fulfilling this warranty.

It is the responsibility of the owner to read, understand and practice the maintenance, safety, and operational guidelines as set out in the operator's manual furnished with the equipment. It is the owner's responsibility to ensure that the Pre-delivery Inspection sheet, which must be signed by the owner, is completed and returned to Free Form by the dealer. The completed and signed Pre-delivery Inspection sheet and the appropriate Assembly Inspection Checklist are required to register a new unit for warranty.

SAFETY



SAFETY ALERT SYMBOL

This Safety Alert symbol means:
ATTENTION!
BECOME ALERT!
YOUR SAFETY IS INVOLVED!

The Safety Alert symbol identifies important safety messages. When you see this symbol, be alert to the possibility of personal injury or death. Follow the instructions in the safety message.

WHY IS SAFETY IMPORTANT TO YOU?

Accidents Disable and Kill

Accidents Cost

Accidents Can Be Avoided

SIGNAL WORDS

Note the use of the signal words **DANGER**, **WARNING**, and **CAUTION** with the safety messages. The appropriate signal word for each message has been selected using the following guidelines:

DANGER

This indicates an imminently hazardous situation that, if not avoided, will result in death or serious injury. This signal word is to be limited to the most extreme situations, typically for machine components that, for functional purposes, cannot be guarded.

WARNING

Indicates a potentially hazardous situation that, if not avoided, could result in death or serious injury, and includes hazards that are exposed when guards are removed. It may also be used to alert against unsafe practices.

CAUTION

This indicates a potentially hazardous situation that, if not avoided, may result in minor or moderate injury. It may also be used to alert against unsafe practices.

You are responsible for the safe operation and maintenance of your Free Form equipment. You must ensure that you and anyone else, who is going to operate, maintain or work around the equipment be familiar with the operating and maintenance procedures and related safety information contained in this manual. This manual will take you step-by-step through your working day and alerts you to all good safety practices that should be adhered to while operating the unit.

Remember, you are the key to safety. Good safety practices not only protect you but also the people around you. Make these practices a working part of your safety program. Be certain that everyone operating this equipment is familiar with the recommended operating and maintenance procedures and follows all the safety precautions. Most accidents can be prevented. Do not risk injury or death by ignoring good safety practices.

- The most important safety device on this equipment is a safe operator. It is the operator's responsibility to read and understand all Safety and Operating instructions in the manual and to follow these. All accidents can be avoided.
- Do not modify the equipment in any way. Unauthorized modification may impair the function and/or safety and could affect the life of the equipment.
- Think SAFETY! Work SAFELY!

GENERAL SAFETY

1. Read and understand this manual.
2. Have a first-aid kit available for use should the need arise and know how to use it.
3. Wear appropriate protective gear. This list may include but is not limited to:
 - A hard hat
 - Protective shoes with slip-resistant soles

- Protective goggles
- Heavy gloves
- Hearing protection

OPERATING SAFETY

1. Read and understand the Operator's Manual and all safety signs before using.
2. Attach securely to towing unit using a pin with a retainer.
3. Do not exceed a safe travel speed.
4. Use hazard flasher on towing unit when transporting.
5. Review safety instructions annually.

MAINTENANCE SAFETY

1. Follow good shop practices:
 - Keep service area clean and dry.
 - Be sure electrical outlets and tools are properly grounded.
 - Use adequate light for the job at hand.
2. Use only tools, jacks, and hoists of sufficient capacity for the job.

TRANSPORT SAFETY

1. Read and understand ALL the information in the Operator's Manual regarding procedures and SAFETY when operating the swath roller in the field and/or on the road.
2. Always travel at a safe speed. Use caution when making corners or meeting traffic.
3. Make sure the reflectors required by the local highway and transport authorities are in place, are clean and can be seen clearly by all overtaking and oncoming traffic.

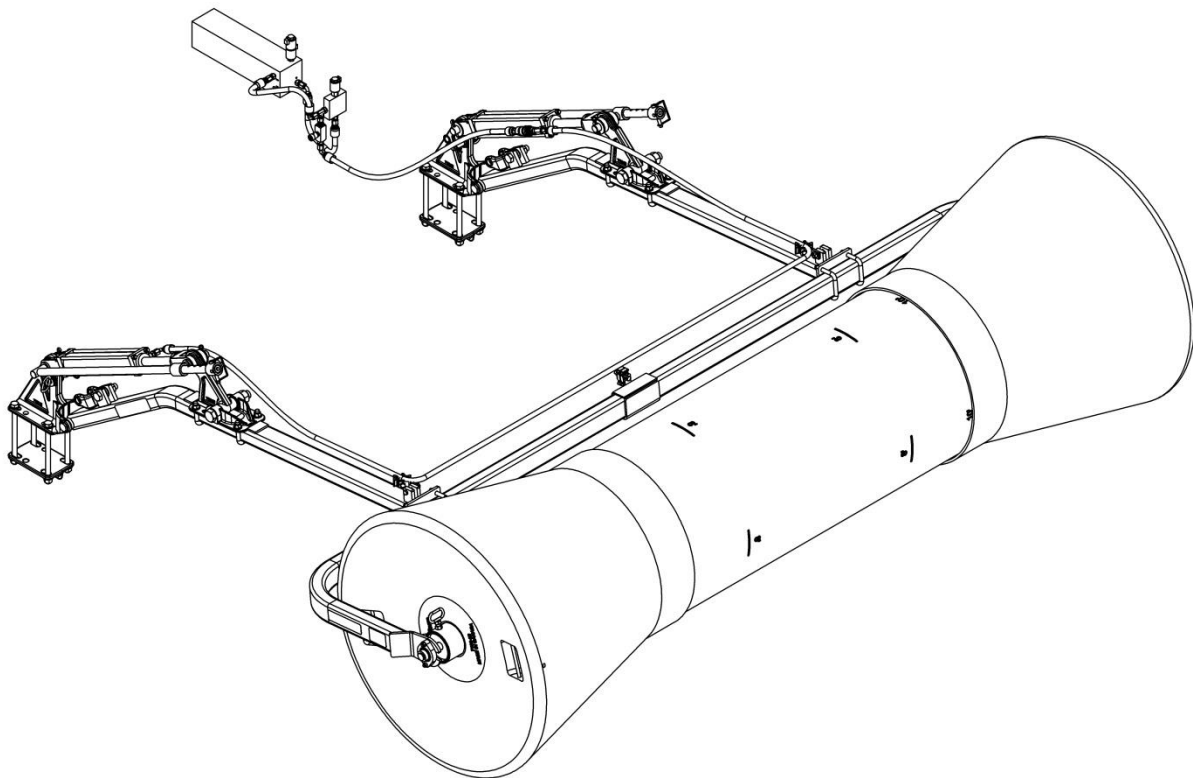
Note: The slow-moving vehicle sign and flashing lights on the swather must be visible from behind when the MT3000 is secured in the transport position.

4. Be sure that the TB2000 is hitched positively to the towing vehicle and a retainer is used through the drawbar pin. Be sure that the MT3000 is secured properly with both transport locks and the pins are secured.
5. Keep to the right and yield the right-of-way to allow faster traffic to pass. Drive on the road shoulder, if permitted by law.
6. Do not exceed 32 km/h. (20 mph). Reduce speed on rough roads and surfaces.



CONFIRM COMPONENTS

Refer to the *Parts Section* to check the packing list against the components received in the package prior to assembly. Contact your Free Form dealer if there are any components missing.



HYDRAULIC PLUMBING ASSEMBLY

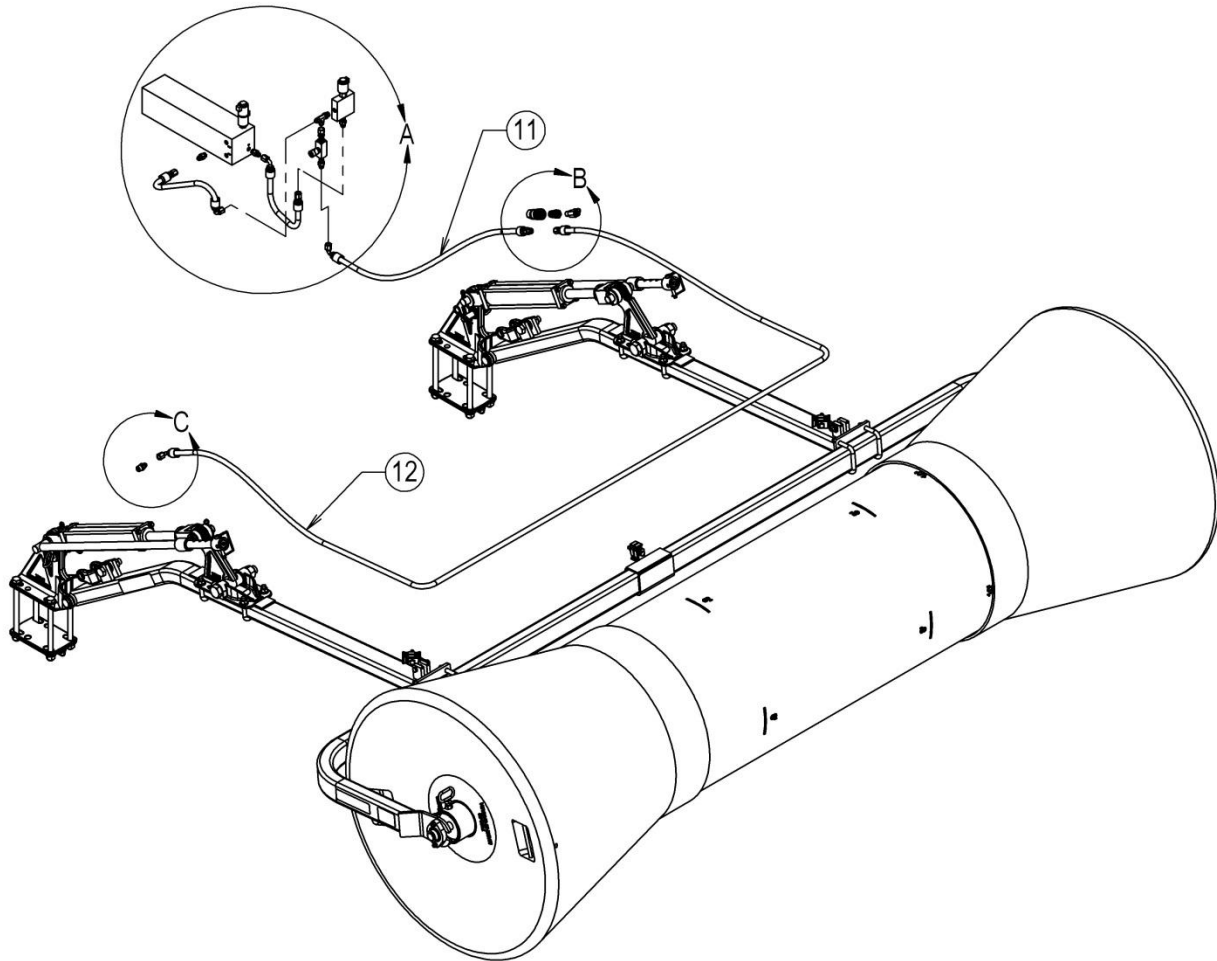
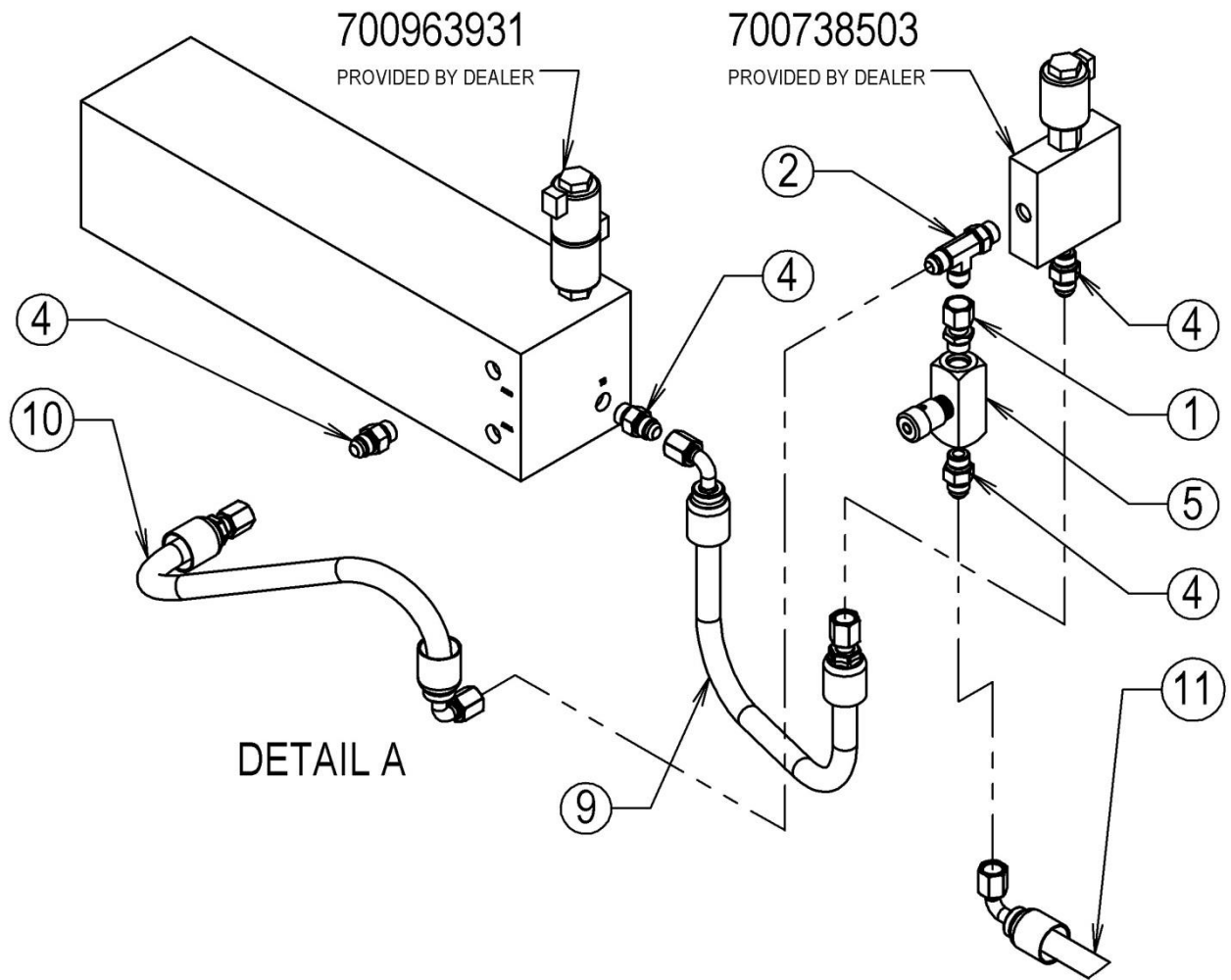


Figure 1 – Completed Assembly

Refer to *Figure 1* during the overall installation. Each individual step will call out details A, B, or C from this diagram. Each cylinder's orientation is denoted from the perspective of sitting inside the cab of the swather in normal operation.

NOTE: USE HYDRAULIC APPROVED PIPE DOPE ONLY ON PIPE THREAD FITTINGS.

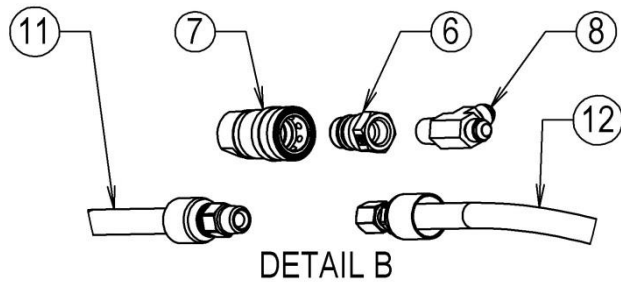


Detail A – Hydraulic Installation at Machine

Referring to detail A for this step fit two 2282 *HYD FTG-6MB-6MJ* (#4) into two ports shown on the existing valve block in your machine. On both of these #4s fix a 2558 *HOSEHYD#6/2WIRE/34/6FJX/6FJX90* (#9 and #10) pay attention to the location of the 90-degree orientation.

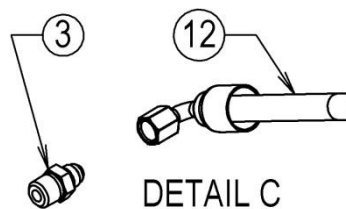
Attach a 2204 *HYD FTG-6MBR-6MJT* (#2) to the valve supplied by the dealer (AGCO P/N 700738503). Install AGCO kit #700963931 in the blank location of the main hydraulic manifold as shown above in detail A. Attach #4 to the other open port of the valve AGCO P/N 700738503. Attach a 2305 *HYD FTG-6MB-6FJXR* (#1) to the leg on #2. Attach 2932 *VALVE HYD-NEEDLE #6 ORB* (#5) to the #1. Attach #4 to the #5 as seen in detail A.

Connect the corresponding ends of hoses #9 and #10 to the assembled valve setup as shown in detail A. Then attach the 90-degree end of 2202 *HOSEHYD#6/2WIR/130/6MP/6FJX90* (#11) to the #4 on the #5 needle valve.



Detail B – Fittings for Right Cylinder

Referring to detail B for this step, fit the leg of 2203 *HYD FTG-6MJR-6MPT* (#8) to the rod end of the right cylinder. Attach 2286 *HYD-FTG-QUICK CPLR MALEX#6FP* (#6) to the #8. Connect a 2285 *HYD-FTG-QUICK CPLR FEMALEX#6FP* (#7) to the #6 as shown in detail B. Attach the free end of the #11 hose to the #7. Attach the 2293 *HOSEHYD#6/2WIR/180/6FJX/6FJX90* (#12).



Detail C – Fittings for Left Cylinder

Referring to detail C for this step fit a 2289 *HYD FITTING 6MJ-6MP* (#3) to the to the rod end of the left cylinder. Attach the free 90-degree end of the #12 hose to the #3.

Not shown are the two 2439 *HYDFTG-6MPBRONZEBREATHERPLUG* that need to be installed on both cap ends of the cylinders.

Make electrical connections to valve as per manufacturer’s documentation. Consult the manufacturer's manual or service department for configuring the onboard electronics to control the swath roller.

PARTS

SR MT-MF WR9900 SERIES PKG (2876-01)

Part Number	Description	Qty
2305	HYD FTG-6MB-6FJX	1
2204	HYD FTG-6MBR-6MJT	1
2289	HYD FITTING 6MJ-6MP	1
2282	HYD FITTING 6MB-6MJ	4
2932	VALVE HYD-NEEDLE #6 ORB	1
2286	HYD FTG-FF QCK CPLR MALEX#6FP	1
2285	HYD FTG-FF QCK CPLR FEMALEX#6FP	1
2203	HYD FTG-6MJR-6MPT	1
2558	HOSEHYD#6/2WIRE/34/6FJX/6FJX90	1
2202	HOSEHYD#6/2WIR/130/6MP/6FJX90	1
2293	HOSEHYD#6/2WIR/180/6FJX/6FJX90	1
2439	HYDFTG-6MPBRONZEBREATHERPLUG	2
26002-99	CLAMP RUBBER CUSH TSTRP 1-1/2"	6
1010-73	BOLT 5/8X8 UNC GR5 PLD	8

LEGAL DISCLAIMER

Free Form Plastic Products reserves the right to change the stated specifications and technical information without notice and Free Form Plastic Products does not represent or warrant that the information in this publication is completely accurate or current; however Free Form Plastic Products used reasonable efforts to set forth and include accurate and up to date information in this publication. Free Form Plastic Products disclaims all representations and warranties, whether express or implied, including but not limited to warranties of merchantability and fitness for a particular purpose and Free Form Plastic Products shall not be liable for any damages, whether compensatory, direct, indirect, incidental, special, or consequential, arising out of or in connection with the use of this publication, or in the information therein.

